

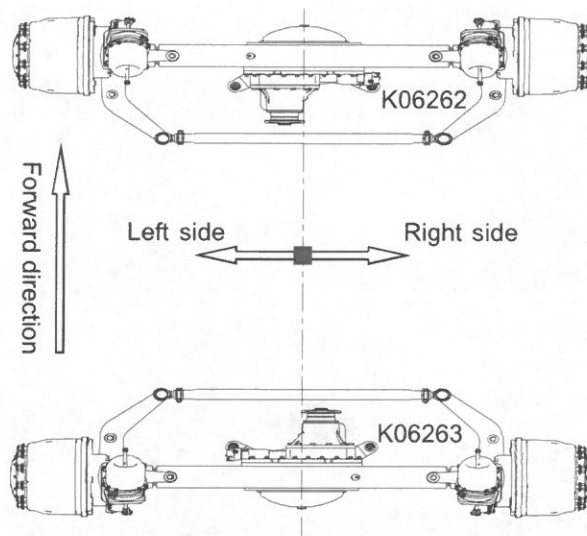
Specifications

Axle information


This part list is suitable for below axles:

No.	Axle Identification No.		GAW	Remark
	HANDE AXLE	KODIAK AMERICA		
1	HDZ13T341526009	K06262	13,000kg	Front steering drive axle
2	HDZ13T341526010	K06263	13,000kg	Rear steering drive axle

Definition of viewpoints



ID TAG

 SHAANXI HANDE AXLE CO.,LTD	
Axle number	①
Speed ratio	②
Axle load	③
Manufacturing number	④
⑤	⑥

1—Axle identification No.

2—Axle ratio

3—Axle rated load

4—S/N (manufacturing number)

5—Axle identification No. for vehicle manufacturer

6—Vehicle manufacturer

General information

Instructions for ordering spare parts

Warranty

Shaanxi HanDe Axle Co., Ltd provides a warranty only for original delivered replacement parts. Please be aware that the use of other than original replacement parts can cause a negative effect on the design properties of the axle, therefore making it unsafe.

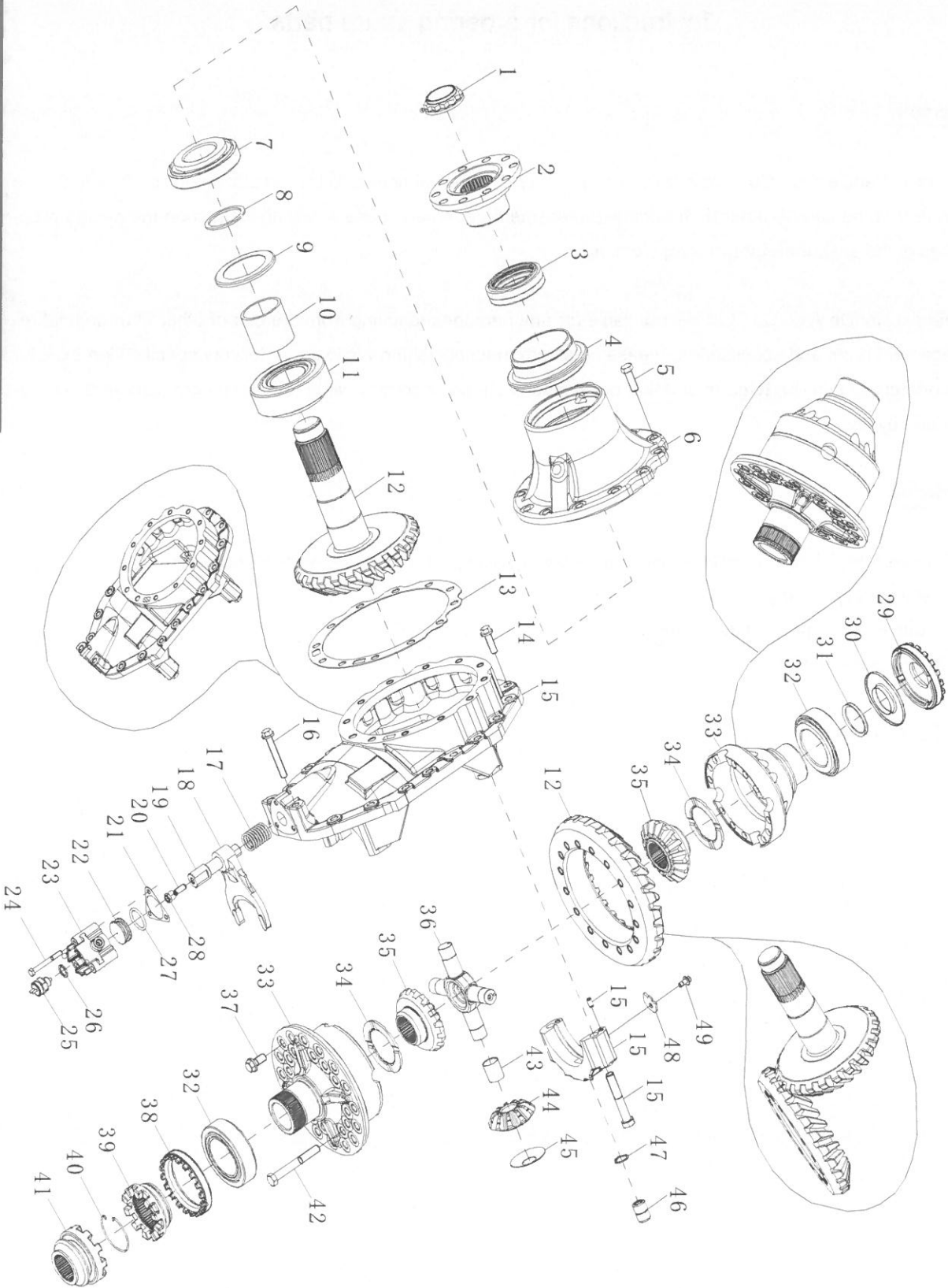
Shaanxi HanDe Axle Co., Ltd will not liable for any damages resulting from the use of other than original replacement parts and accessories. Please be aware that special production and delivery specification exist for proprietary or third-party parts and that our replacement parts comply with the most recent standards as prescribed by law.

Ordering

When ordering original HanDe replacement parts, please provide the following information:

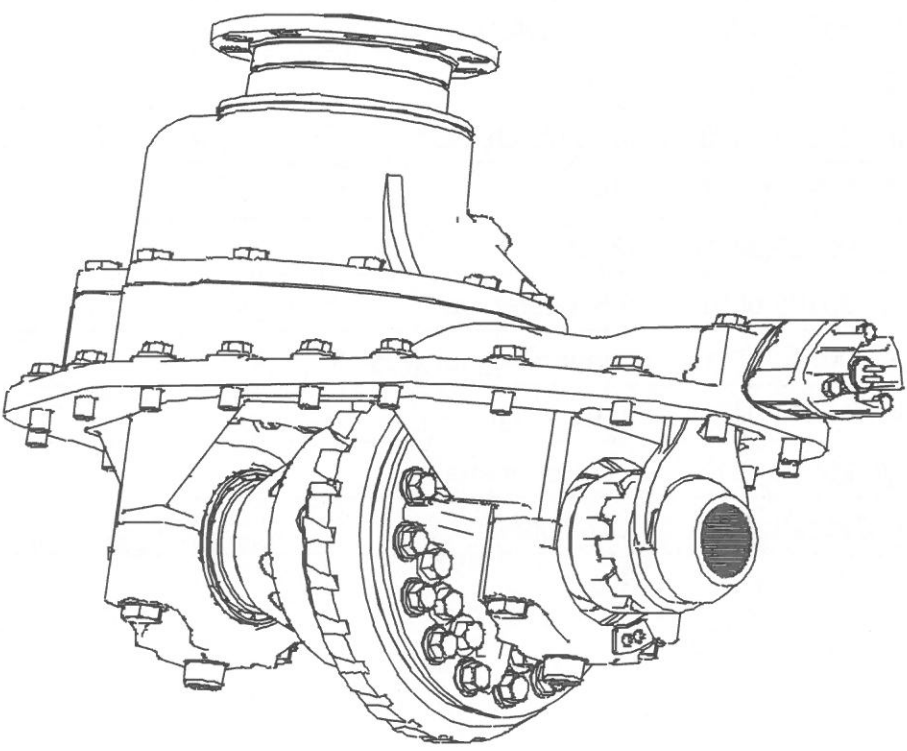
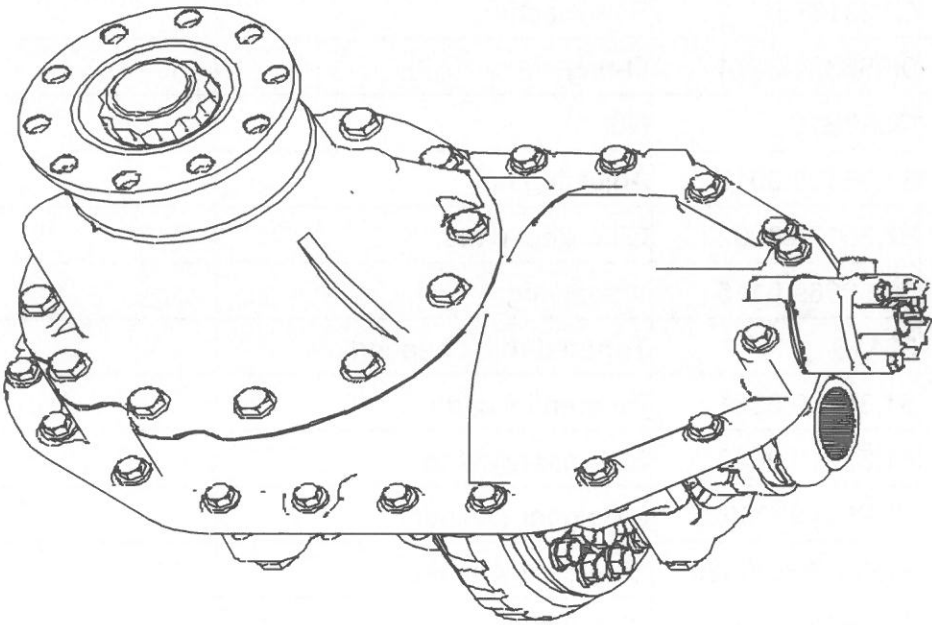
1. Vehicle manufacturer
2. Name or description of the spare part
3. Spare part number
4. Quantity
5. Delivery item

Drive Carrier



Item	HanDe Part No.	Description	Remark
1	DZ95149320054	Lock nut	
2	HD90129326127	Flange assembly	
3	DZ90129326029	Oil Seal	For K06262
	DZ90129326008	Oil Seal	For K06263
4	DZ95149320007	Seal Seat	
5	Q151B1440TF2	Bolt	
6	81.35601.0020	Bearing seat	
7	31313	Tapered Roller Bearing	
8	81.90770.0100	Adjusting washer	
9	81.35730.0018	Oil baffle	
10	81.91701.0350	Spacer	
11	06.32499.0082	Tapered roller bearing	
12	81.35199.6523	Bevel gear set	For K06262
	81.35199.6530	Bevel gear set	For K06263
13	81.90701.0710	Adjusting washer	
14	Q1811440TF2	Bolt	
15	DZ9112320970	Carrier housing assembly	
16	DZ9003800004	Bolt	
17	81.97601.0689	Spring	
18	81.35614.0006	Fork	
19	81.35619.0003	Joy stick	
20	Q2821025	Bolt	
21	81.96601.0627	Gasket	
22	81.35634.0011	Switch plunger	
23	DZ9112360008	Switch cylinder	
24	Q150B0870	Bolt	
25	DZ9112710025	Pressure switch assembly	

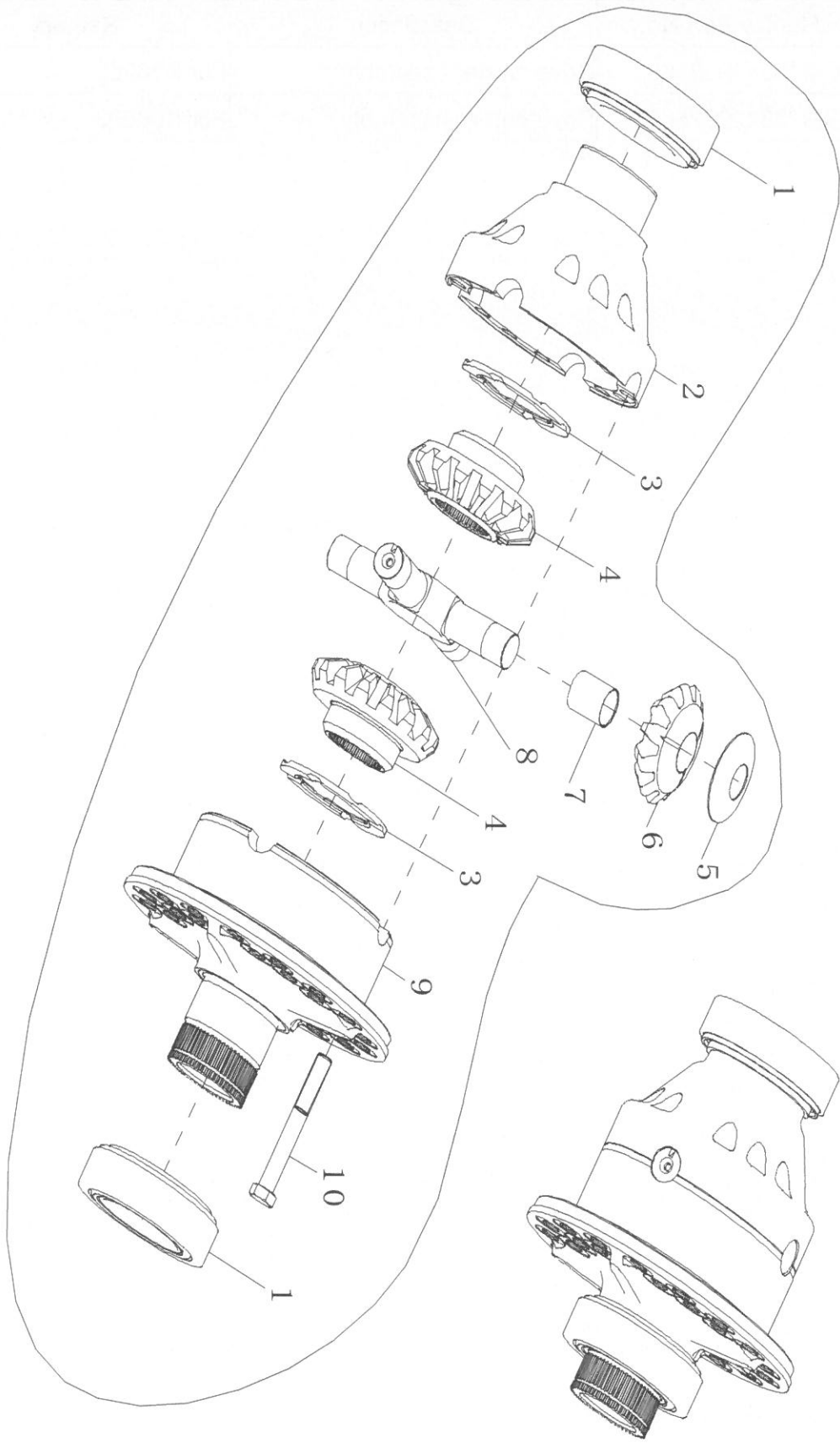
Item	Hande Part No.	Description	Remark
26	Q72318T5F	Seal washer	
27	06.56331.3274	O-ring	
28	Q350B10	Nut	
29	81.35125.0012	Adjusting nut	
30	81.35125.0002	Oil collect plate	
31	06.56669.0115	V seal ring	
32	33115	Tapered roller bearing	
33	81.35100.6361	Differential cage	
34	81.35613.0043	Side gear washer	
	HD95149320025	Side gear washer	
	HD95149320026	Side gear washer	
35	81.35106.0036	Side gear	
36	81.35107.0014	Spider	
37	81.90490.0331	Bolt	
38	81.35125.0003	Adjusting nut	
39	81.35202.0034	Fixed joggle sleeve	
40	81.90820.0091	Pinchcock	
41	81.35202.0033	Dog clutch gear	
42	Q151B1490TF2	Bolt	
43	81.93020.0458	Bush	
44	81.35108.0059	Planetary gear	
45	81.90711.0535	Planetary gear washer	
46	81.91001.0421	Locating pin	
47	06.29019.0013	Circlip for shaft	
48	DZ9112320026	Lock plate	
49	Q1800816	Bolt	



Drive Carrier

Item	Hande Part No.	Description	Remark
	DCM133419325602	Drive carrier assembly	For K06262
	DCM133419325603	Drive carrier assembly	For K06263

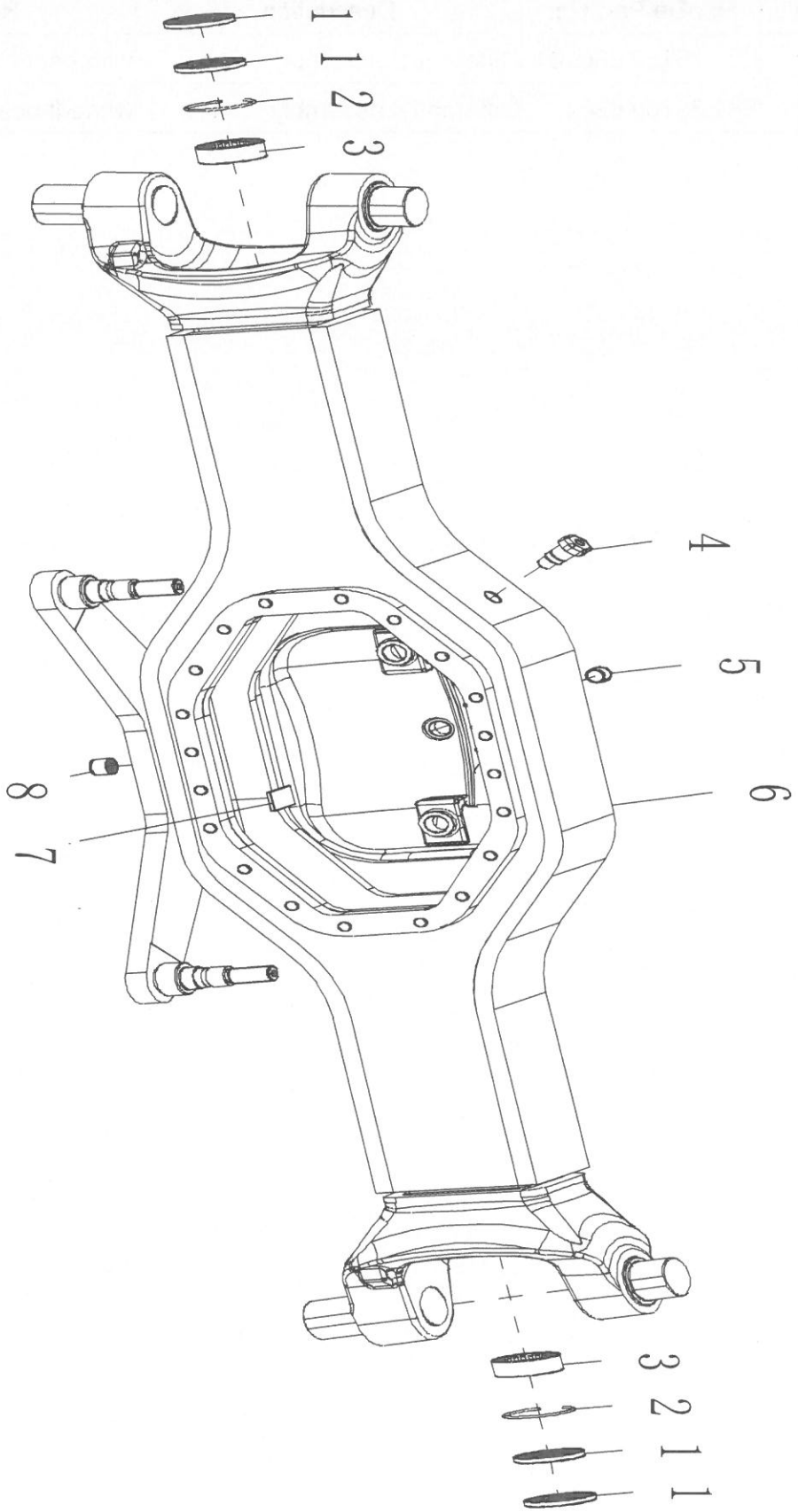
Drive Carrier



Drive Carrier

Item	HanDe Part No.	Description	Remark
	F81.35100.636101	Differential assembly	with bearings
	F81.35100.6361	Differential assembly	without bearings

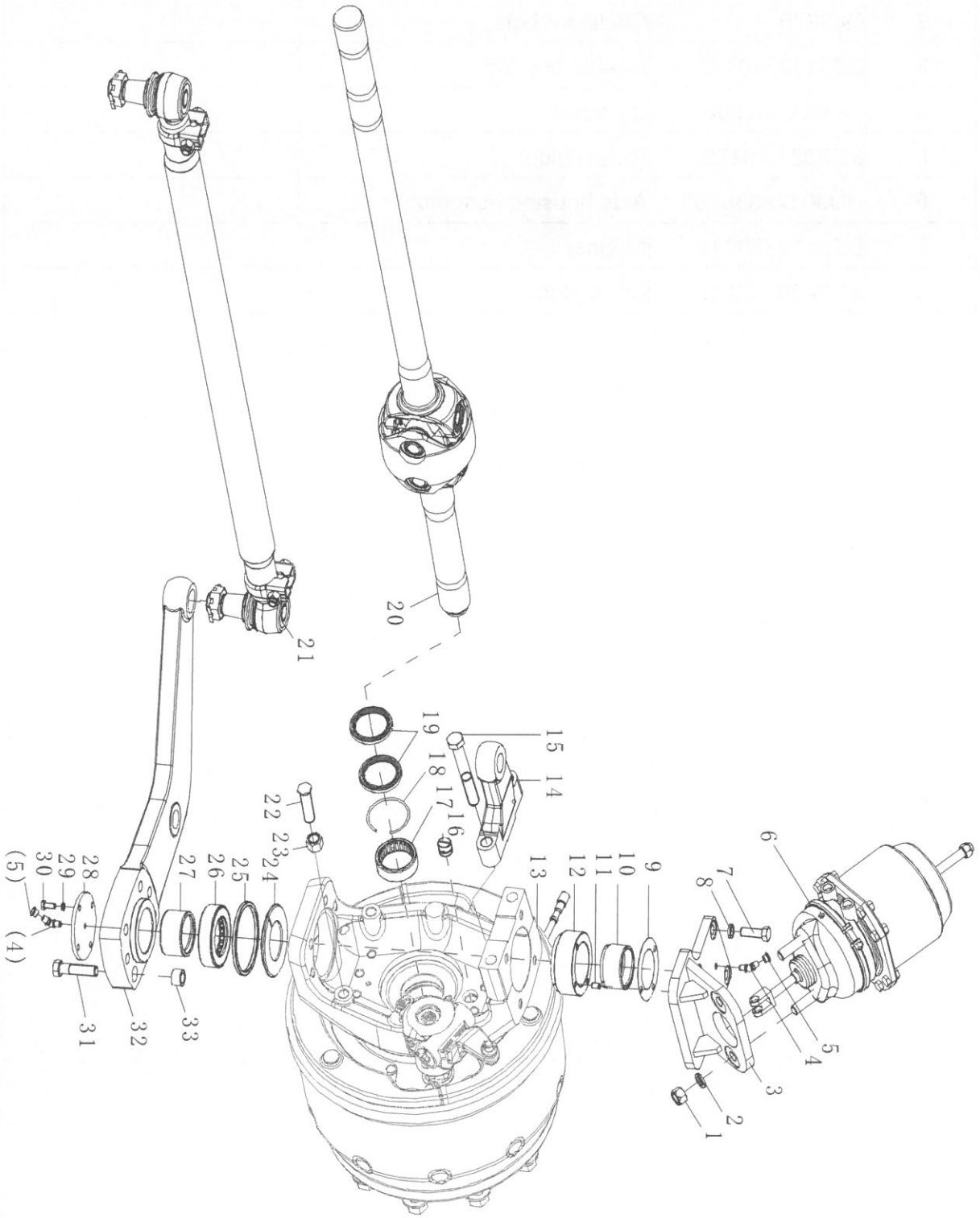
Drive Carrier



Axle Housing

Item	HanDe Part No.	Description	Remark
1	DZ90129346019	Axle packing ring	
2	Q43870	Circlip for hole	
3	DZ9112340427	Needle bearing	
4	199000330006	Breather	
5	81.90310.0179	Refuel plug	
6	HD90129336169	Axle housing assembly	
7	DZ9112330019	Magnet	
8	81.90301.0025	Drain plug	

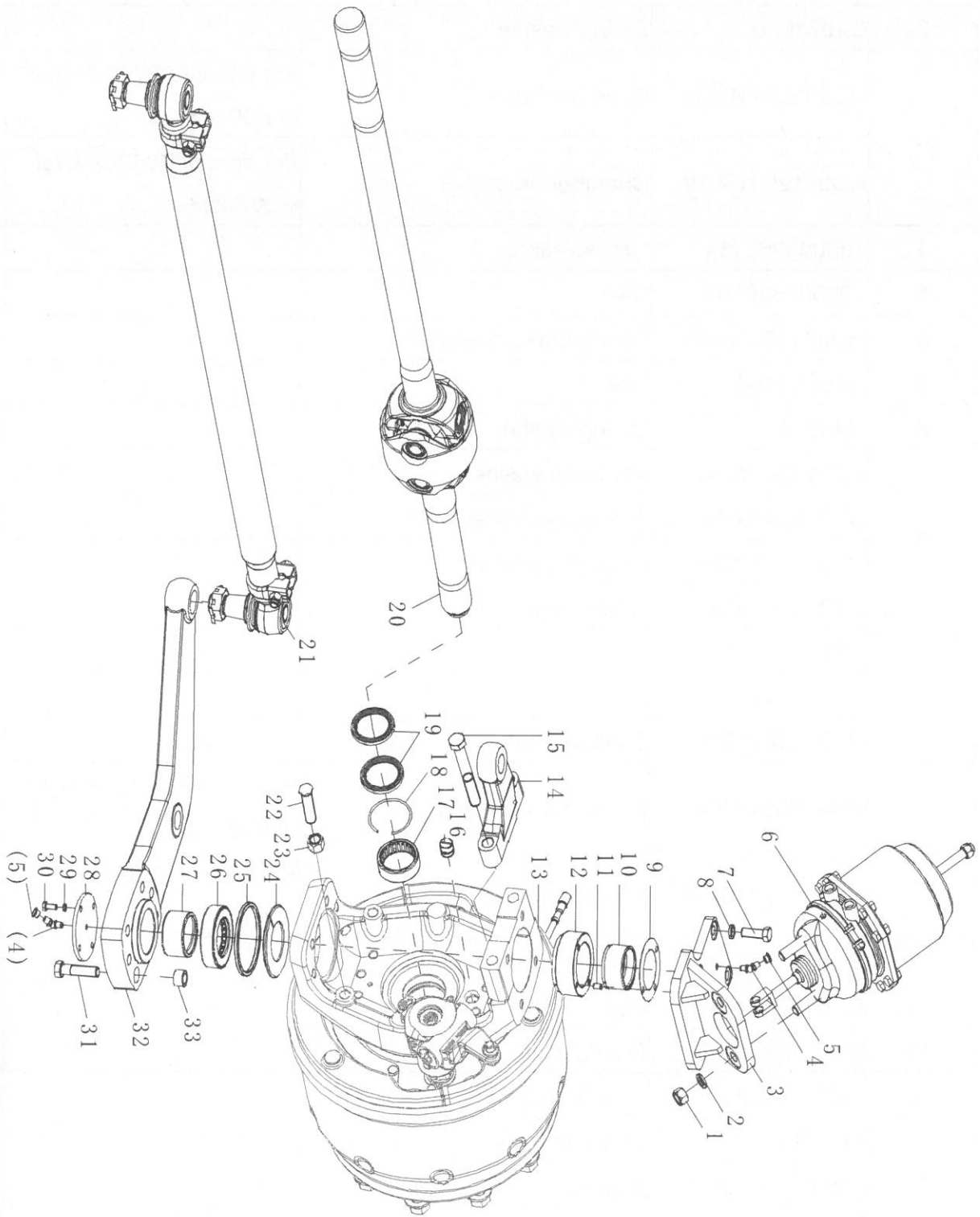
Axle Housing



Wheel End

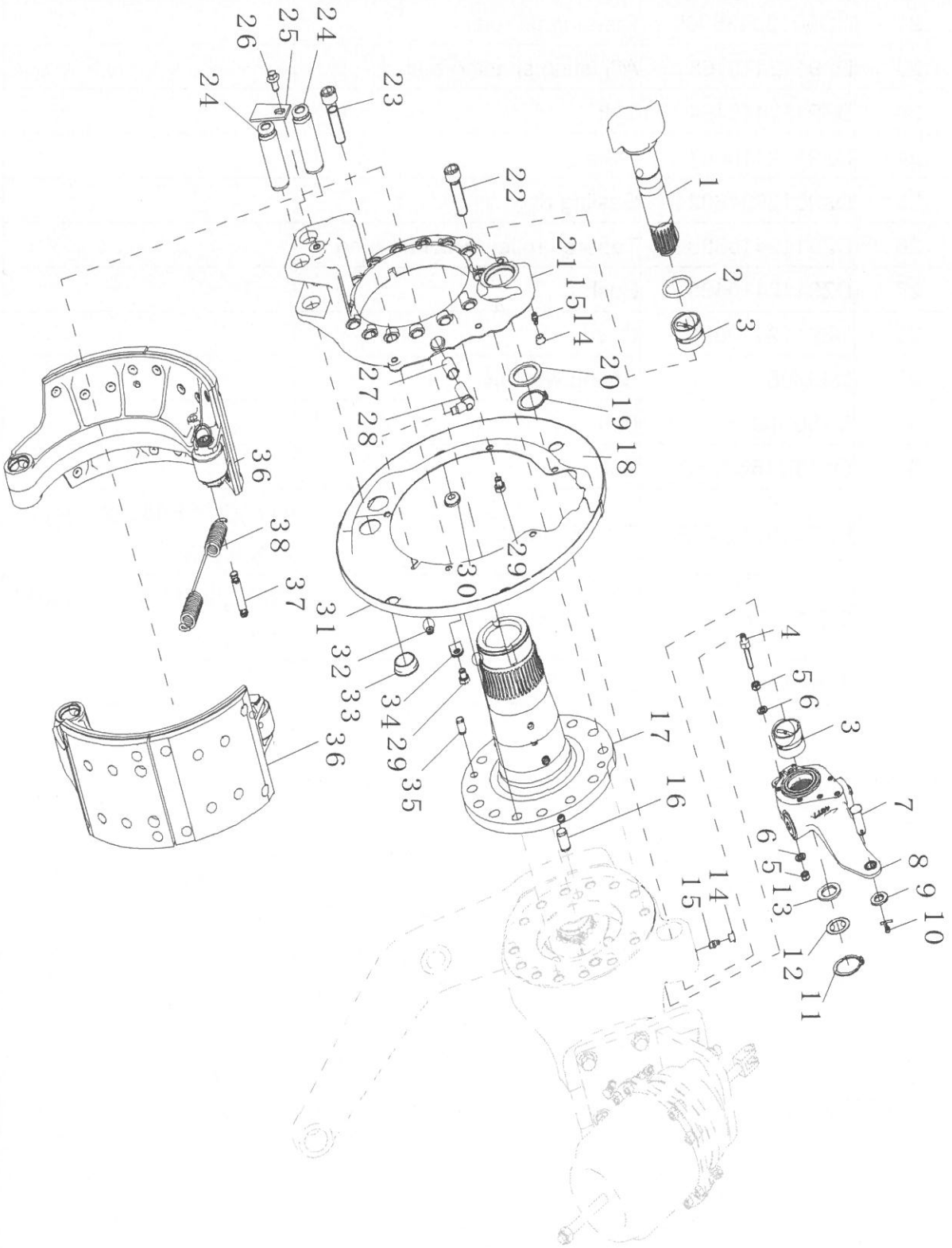
Item	HanDe Part No.	Description	Remark
1	Q341B16F6	Nut	
2	Q40516F6	Spring washer	
3	HD90129416069	Chamber bracket-L	For left of K06262 & right of K06263
	HD90129416070	Chamber bracket-R	For right of K06262 & left of K06263
4	190003963114	Grease Nipple	
5	199000520096	Cap	
6	HD90129366005	Spring brake chamber	
7	Q151B1440	Bolt	
8	Q40314	Spring washer	
9	DZ9112410093	Adjusting washer	
	DZ9112410094	Adjusting washer	
	DZ9112410095	Adjusting washer	
	DZ9112410096	Adjusting washer	
10	DZ9112410092	Bush	
11	Q5210814	Pin	
12	DZ9112410091	Shaft sleeve	
13	HD90009410147	Knuckle assembly-L	For left of K06262 & right of K06263
	HD90009410148	Knuckle assembly-R	For right of K06262 & left of K06263
14	DZ9112410180	Steering knuckle arm	
15	Q151B18140TF2	Bolt	
16	DZ9112410198	Breath joint	
17	DZ9112340427	Needle bearing	
18	Q43870	Circlip for hole	
19	DZ90129346019	Seal ring	
20	DZ90129346097	Cardan axis	

Wheel End



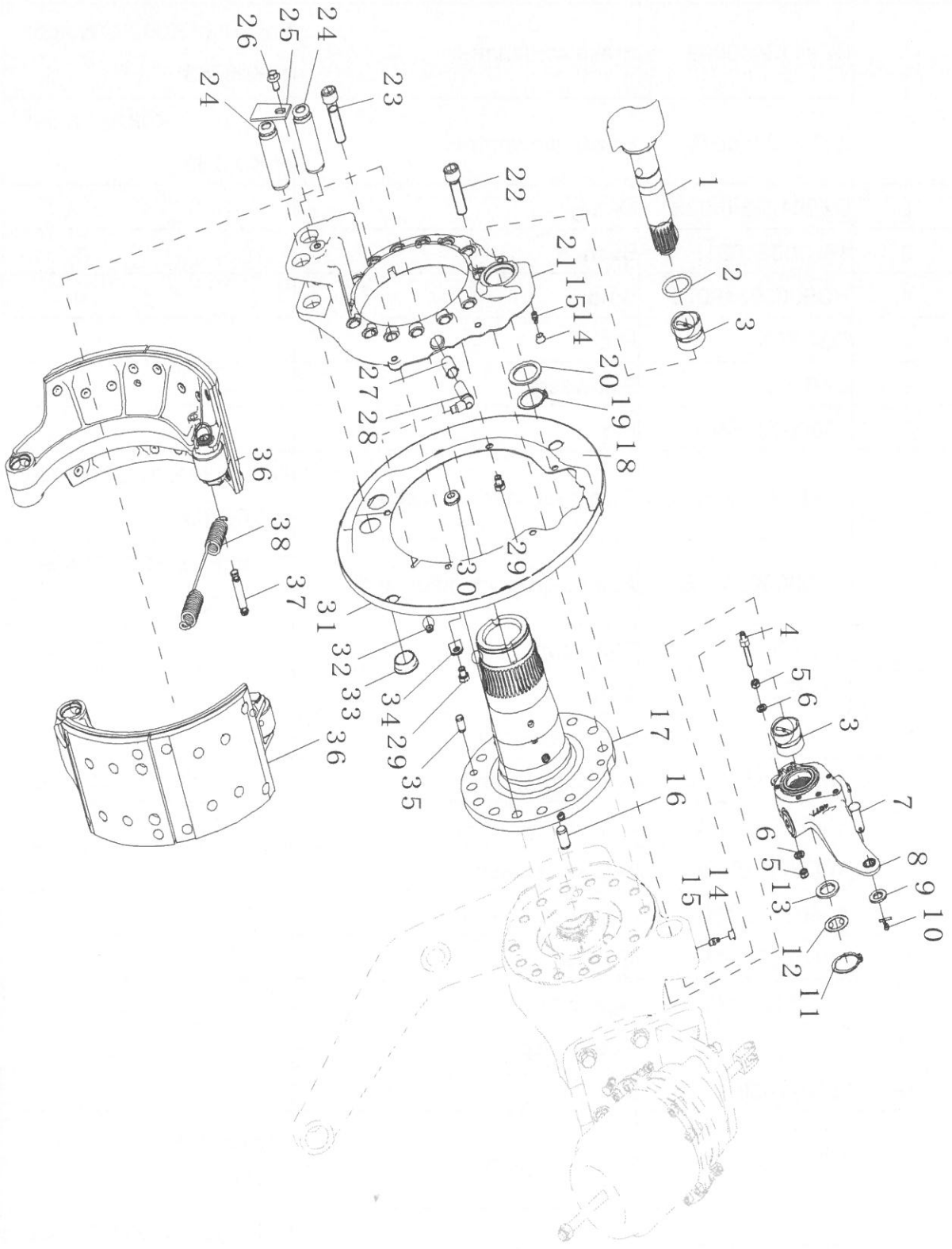
Wheel End

Item	HanDe Part No.	Description	Remark
21	HD90129436005	Steering tie rod	
22	DZ9112410163	Adjusting spacing bolt	
23	DZ9112410164	Bolt	
24	DZ9112410097	Plate	
25	DZ90129346024	Sealing ring	
26	DZ9112410800	Tapered roller thrust bearing	
27	DZ9112410405	Bush	
28	DZ9112410001	Cover	
29	Q40308	Spring washer	
30	Q150B0816	Bolt	
31	Q151B1665TF2	Bolt	
32	DZ90009416029	Tie rod arm-L	For left of K06262 & right of K06263
	DZ90009416030	Tie rod arm-R	For right of K06262 & left of K06263
33	188000410068	Locating sleeve	



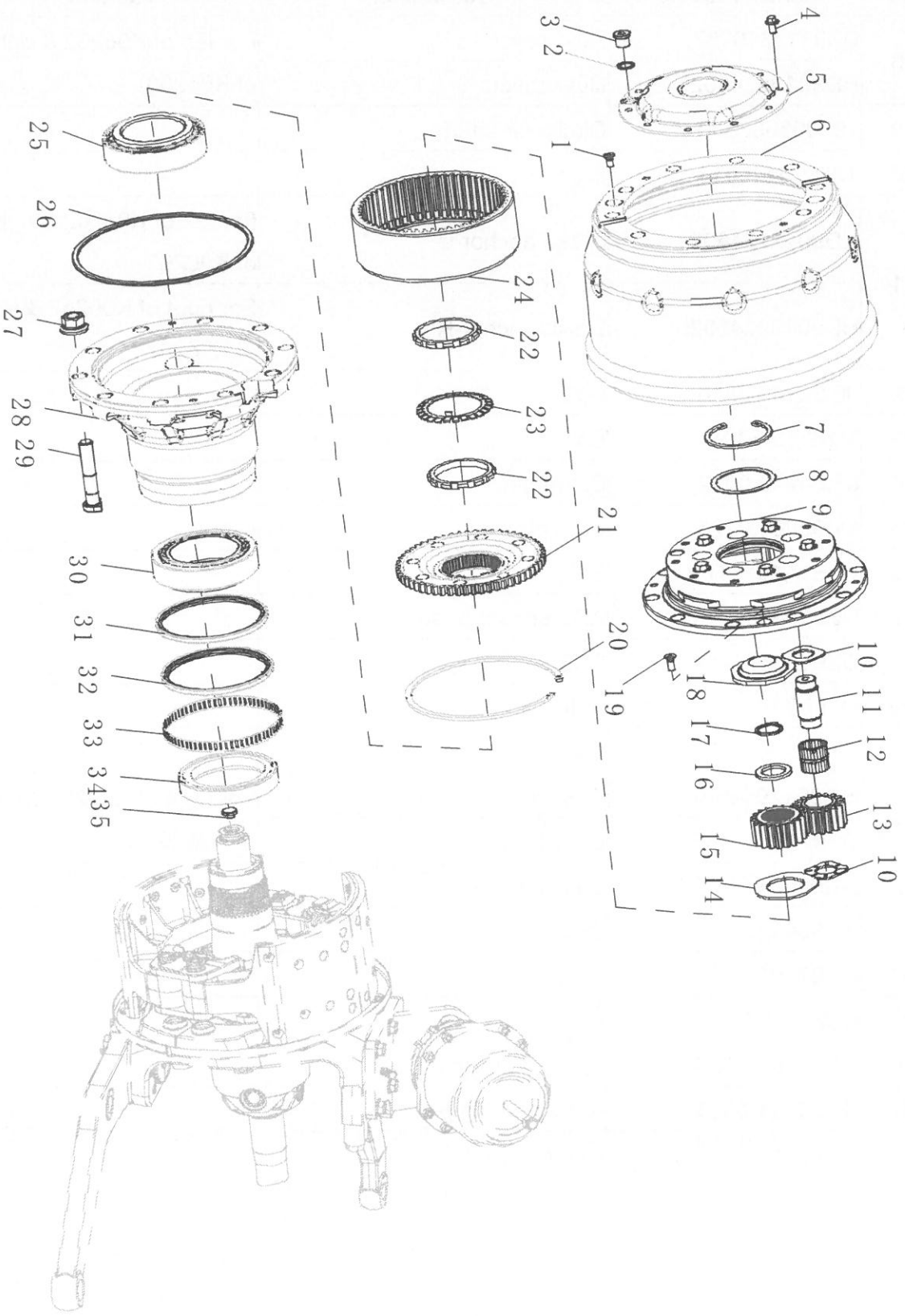
Item	Hande Part No.	Description	Remark
1	DZ9112440069	Brake camshaft-L	For left of K06262 & right of K06263
	DZ9112440070	Brake camshaft-R	For right of K06262 & left of K06263
2	DZ90129346026	O-ring	
3	188000340017	Bush	
4	HD90009340079	Stud	
5	Q340B08	Nut	
6	Q40108	Flat washer	
7	190003903661	Pin	
8	HD90009340081	Automatic slack adjuster-L	For left of K06262 & right of K06263
	HD90009340082	Automatic slack adjuster-R	For right of K06262 & left of K06263
9	Q40114	Flat washer	
10	Q5004025	Cotter	
11	Q43125	Circlip for shaft	
12	108000320028	Adjusting washer	
	108000320029	Adjusting washer	
	108000320030	Adjusting washer	
	108000320046	Adjusting washer	
13	188000340022	Gasket	
14	81.96002.0191	Nipple hat	
15	06.38070.0102	Grease nipple	
16	Q5211630	Pin	
17	DZ9112410901	Spindle assembly-L	For left of K06262 & right of K06263
	DZ9112410902	Spindle assembly-R	For right of K06262 & left of K06263

Wheel End



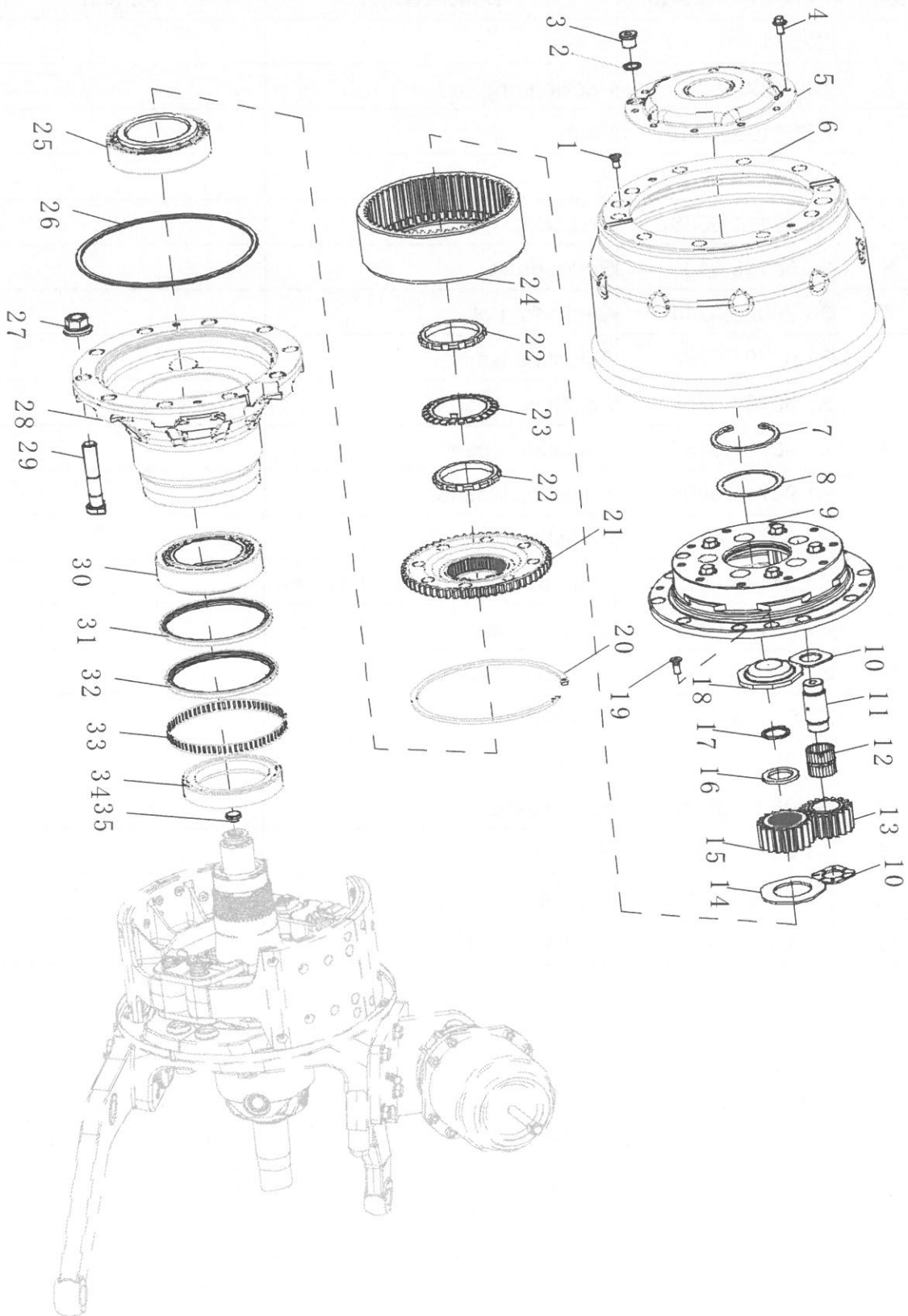
Wheel End

Item	HanDe Part No.	Description	Remark
18	DZ9112340287	Dust cover	For left of K06262 & right of K06263
	HD90129346027	Dust cover	
19	190003933300	Circlip for shaft	
20	188000440010	Shim	
21	HD90129346024	Brake anchor-L	For left of K06262 & right of K06263
	HD90129346025	Brake anchor-R	For right of K06262 & left of K06263
22	06.02191.2816	Bolt	
23	M16×1.5×70	Bolt	
24	81.50212.0032	Brake pin	
25	81.90801.0225	Lock plate	
26	Q184A1018TF2	Bolt	
27	DZ9100580215	ABS sensor bush	
28	DZ9100580214	ABS sensor	
29	Q150B1012	Bolt	
30	188000340037	Plug	
31	HD90129346026	Dust cover	For right of K06262 & left of K06263
	DZ9112340288	Dust cover	
32	81.96001.0086	Bushing	
33	81.96002.0098	Seal plug	
34	81.97401.0927	Clincher	
35	Q5211222	Pin	
36	81.50200.6785	Brake shoe assembly	
37	81.50211.0018	Return spring pin	
38	81.97610.0265	Return spring	



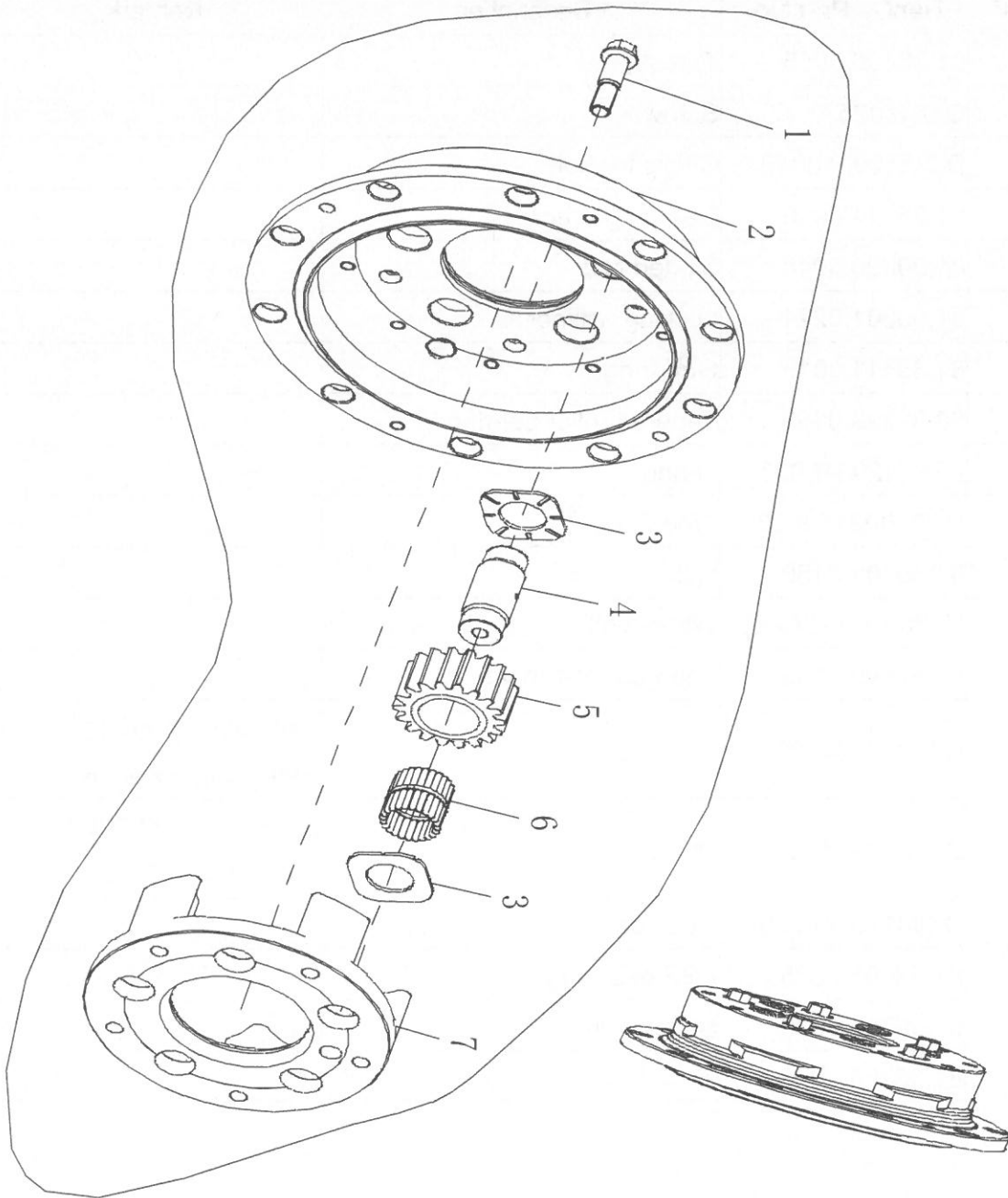
Wheel End

Item	HanDe Part No.	Description	Remark
1	Q2541020	Screw	
2	190003098026	Packing ring	
3	DZ9112346116	Plug	
4	Q184A1018TF2	Bolt	
5	81.35114.0086	End cover	
6	81.50110.0101	Brake drum	
7	06.29020.0214	Circlip for hole	
8	81.90701.0753	Adjusting washer	
	81.90701.0754	Adjusting washer	
	81.90701.0755	Adjusting washer	
	81.90711.0606	Adjusting washer	
	81.90701.0808	Adjusting washer	
9	81.35114.6103	Planetary gear carrier assembly	
10	DZ90129348017	Stop washer	
11	81.91020.0298	Planetary gear pin	
12	DZ9112346115	Needle assembly	
13	81.35112.0026	Planetary gear	
14	81.90711.0640	Stop washer	
15	81.35113.0042	Sun gear	
16	DZ9112410100	Washer	
17	06.29010.0426	Circlip for shaft	



Wheel End

Item	HanDe Part No.	Description	Remark
18	81.36406.0015	Thrust plate	
19	Q2541025	Screw	
20	DZ95129340046	Circlip for hole	
21	81.35114.0019	Gear ring bracket	
22	81.90620.0048	Slotted Nut	
23	81.90801.0224	Locking washer	
24	81.35111.0013	Gear ring	
25	06.32499.0153	Tapered roller bearing	
26	DZ90129346023	O-ring	
27	HD90003100003	Wheel nut	
28	81.35701.0150	Hub	
29	H150A22115AZF3	Wheel bolt	
30	06.32499.0155	Tapered roller bearing	
31	DZ90129346021	Hub seal-L	Left hub of K06262 Right hub of K06263
	DZ90129346022	Hub seal-R	Right hub of K06262 Left hub of K06263
32	DZ90129346020	Hub seal	
33	81.52403.0025	ABS gear ring	
34	81.35710.0076	Space ring	
35	81.36304.0002	Thrust pin	



Item	HanDe Part No.	Description	Remark
	F81.35114.610301	Planetary carrier assemble	

Wheel End