



DONGFENG CUMMINS ENGINE PARTS CATALOG

Configuration Number:

2021/12/01

D0C3005CX03

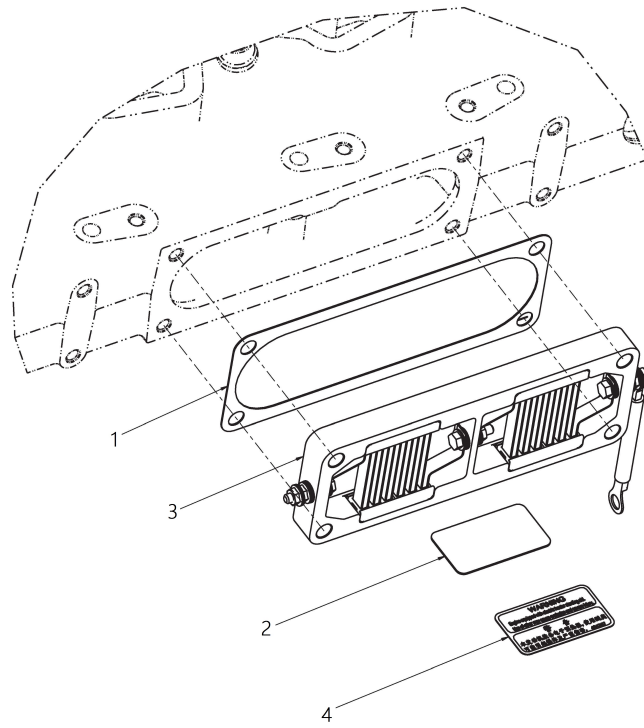
Engine Model: QSZ13-C550-30

SO71087

Foreword

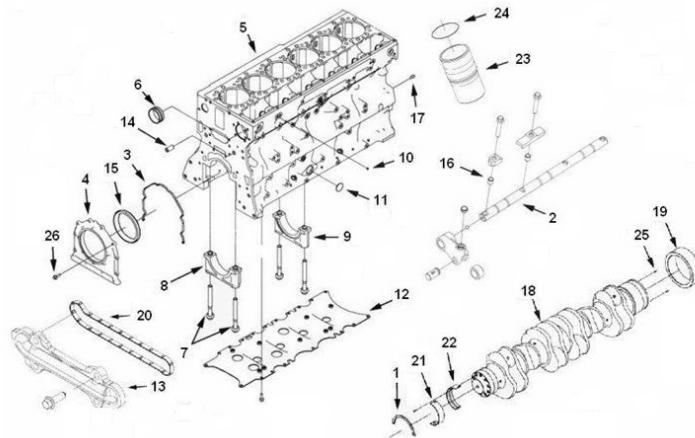
- 1、 This parts catalogue provides customers with the reference about DongFeng Cummins engine structure.
- 2、 Please make sure the order base on the latest engine manufacture when ordering.Because of products promotion,some parts may upgrade the structure, size and P/N
- 3、 The current parts catalogue update won't go along with the products promotion. The current parts catalogue doesn't apply to the foundation of the spare parts

Dongfeng Cummins Engine Co., Ltd



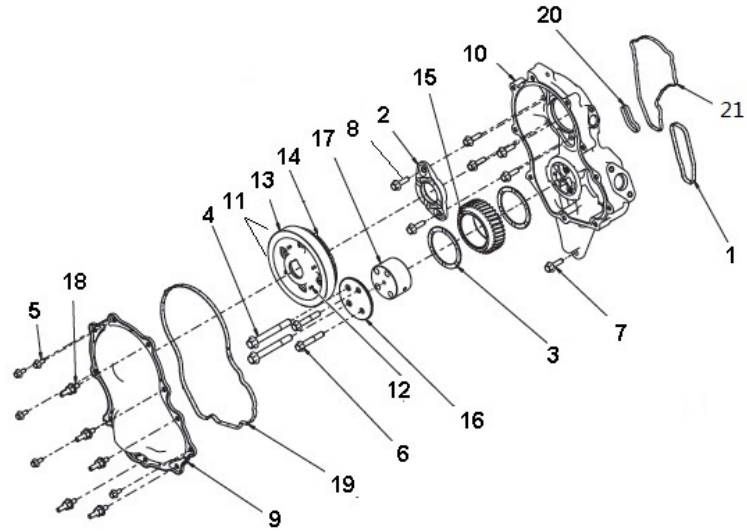
NO		OPTION	SALE	OPTION NAME	QTY	REMARKS
1	2	C3102173	Y	GASKET,CONNECTION	1	
2	2	C2874579	Y	TAPE	1	
3	2	C4316807	Y	HEATER,INTAKE AIR	1	
4	2	C4943187	Y	TAG,INSTRUCTION	1	

NO		OPTION	SALE	OPTION NAME	QTY	REMARKS
1	2	C5289633	Y		1	
				DATAPLATE		
2	2	C5332663	Y		1	
				DATAPLATE		



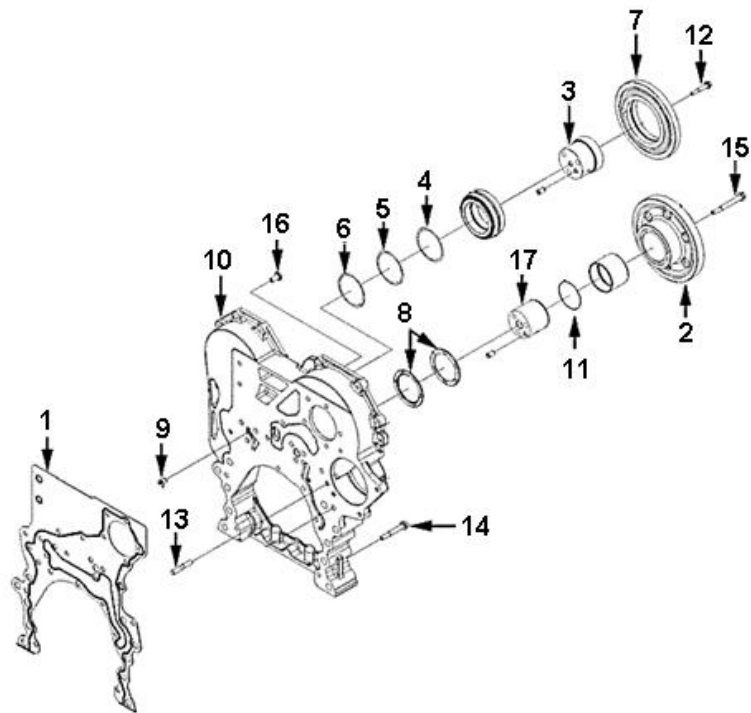
NO		OPTION	SALE	OPTION NAME	QTY	REMARKS
1	2	2869805	Y	BEARING,CRANKSHAFT THRUST	4	
2	2	C2869983	Y	LEVER,CAM FOLLOWER	2	
3	2	C2870121	Y	SEAL,FRONT COVER	1	
4	2	C2874044	Y	CARRIER,SEAL	1	
5	2	C2874066	Y	BLOCK,CYLINDER	1	
6	3	C2869839	Y	BUSHING	7	
7	3	C2873989	Y	SCREW,FRACTURE RESISTANT	14	
8	3	C2884751	Y	CAP,MAIN BEARING	6	
9	3	C2884752	Y	CAP,MAIN BEARING	1	
10	3	C3007632	Y	PLUG,EXPANSION	2	

NO		OPTION	SALE	OPTION NAME	QTY	REMARKS
11	3	C3015865	Y	PLUG,EXPANSION	4	
12	2	C2883240	Y	STIFFENER,CYLINDER BLOCK	1	
13	2	C2884766	Y	COVER,FRONT	1	
14	2	C3100706	Y	DOWEL,RING	1	
15	2	3685173	Y	SEAL,OIL	1	
16	2	C3900720	Y	DOWEL,RING	4	
17	2	C3901846	Y	DOWEL,PIN	2	
18	2	C4316828	Y	CRANKSHAFT,ENGINE	1	
19	2	C4327640	Y	GEAR,CRANKSHAFT	1	
20	2	C4960053	Y	SEAL,FRONT COVER	1	
21	2	C4999939	Y	BEARING,MAIN	7	
22	2	C4999940	Y	BEARING,MAIN	7	
23	2	C4999962	Y	LINER,CYLINDER	6	
24	2	D2873961	Y	SEAL,O RING	6	
25	2	C3681054	Y	DOWEL,PIN	2	
26	2	C3903112	Y	SCREW,HEX FLANGE HEAD CAP	29	



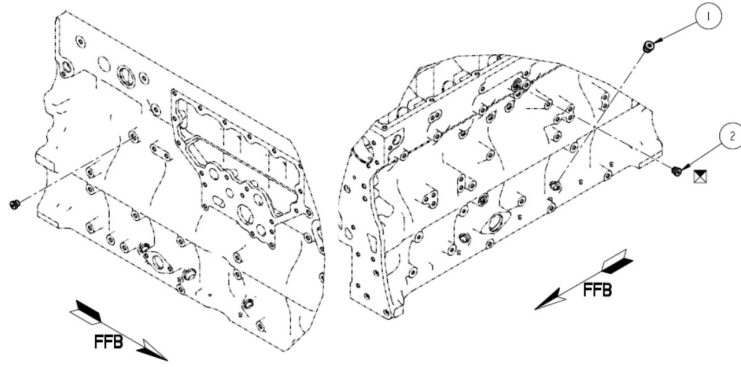
NO		OPTION	SALE	OPTION NAME	QTY	REMARKS
1	2	C2864829	Y	SEAL,GEAR HOUSING	1	
2	2	C2874083	Y	BEARING,THRUST	1	
3	2	C2874329	Y	BEARING,THRUST	2	
4	2	C3680437	Y	SCREW,HEX FLANGE HEAD CA	2	
5	2	C3900629	Y	SCREW,HEX FLANGE HEAD CAP	5	
6	2	C3900635	Y	SCREW,HEX FLANGE HEAD CAP	2	
7	2	C3925344	Y	SCREW,HEX FLANGE HEAD CAP	5	
8	2	C3925344	Y	SCREW,HEX FLANGE HEAD CAP	2	1
9	2	C4327429	Y	COVER,GEAR	1	
10	2	C4327431	Y	HOUSING,GEAR	1	

NO		OPTION	SALE	OPTION NAME	QTY	REMARKS
11	2	C4327434	Y	GEAR,CAMSHAFT	1	
12	3	C3093921	Y	SCREW,HEX FLANGE HEAD CAP	4	
13	3	C4327561	Y	GEAR,CAMSHAFT	1	
14	3	C4975198	Y	PLATE,POSITION SENSOR	1	
15	2	C4327556	Y	GEAR,IDLER	1	
16	2	C4327563	Y	RETAINER,GEAR	1	
17	2	C4327564	Y	SHAFT,IDLER	1	
18	2	C4929065	Y	SCREW,STUDED FLANGE CAP	5	
19	2	C4974921	Y	SEAL,FRONT COVER	1	
20	2	C4975284	Y	SEAL,GEAR HOUSING	1	
21	2	C4975285	Y	SEAL,GEAR HOUSING	1	

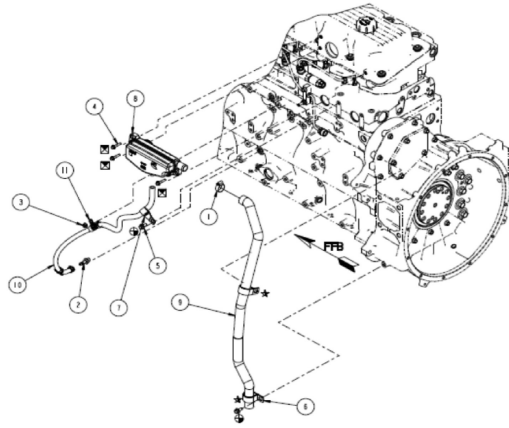


NO		OPTION	SALE	OPTION NAME	QTY	REMARKS
1	2	C2869907	Y	GASKET,GEAR HOUSING	1	
2	2	C4327654	N	GEAR,IDLER	1	
3	2	C2899685	Y	SHAFT,IDLER	1	
4	2	2899693	Y	SHIM	1	
5	2	2899694	Y	SHIM	1	
6	2	2899695	Y	SHIM	1	
7	2	2899736	Y	GEAR,IDLER	1	
8	2	C2874328	Y	BEARING,THRUST	2	
9	2	C4365697	Y	INSERT,THREADED	1	
10	2	C2899853	Y	HOUSING,GEAR	1	

NO		OPTION	SALE	OPTION NAME	QTY	REMARKS
11	2	C3100109	Y	RETAINER,GEAR	1	
12	2	C3900633	Y	SCREW,HEX FLANGE HEAD CAP	1	
13	2	C3903112	Y	SCREW,HEX FLANGE HEAD CAP	12	
14	2	C3904446	Y	SCREW,HEX FLANGE HEAD CAP	2	
15	2	C3916069	Y	SCREW,HEX FLANGE HEAD CAP	1	
16	2	C4327631	Y	SCREW,HEX FLANGE HEAD CA	2	
17	2	C4975005	Y	SHAFT,IDLER	1	

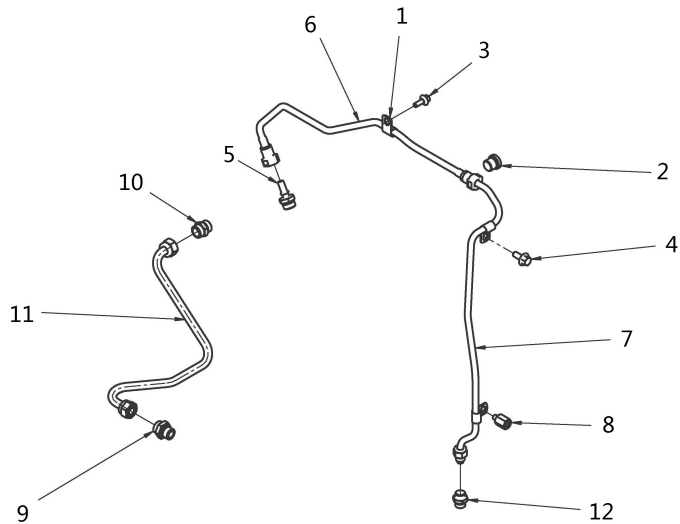


NO		OPTION	SALE	OPTION NAME	QTY	REMARKS
1	2	C3678873	Y	PLUG,THREADED	1	
2	2	C3678921	Y	PLUG,THREADED	2	



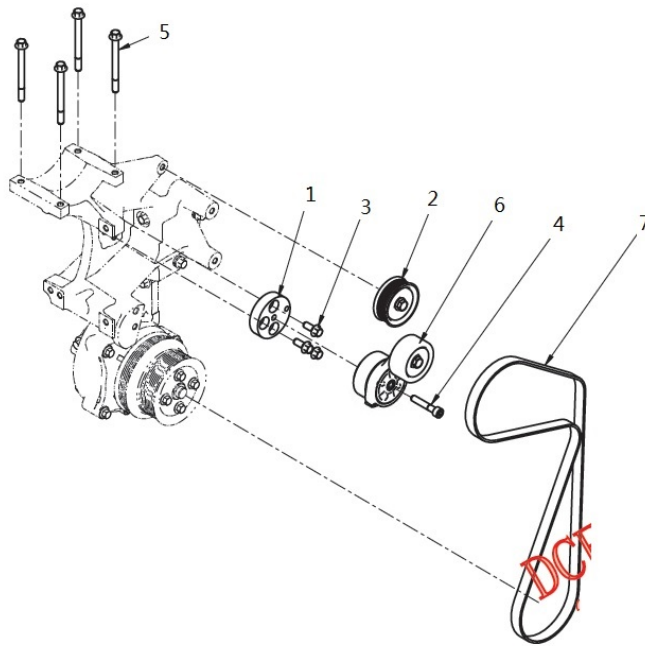
NO		OPTION	SALE	OPTION NAME	QTY	REMARKS
1	2	C209773	Y	CLAMP,HOSE	1	
2	2	C2874047	Y	COUPLING,PLAIN HOSE	1	
3	2	C3900589	Y	NUT,HEXAGON FLANGE	1	
4	2	C3900632	Y	SCREW,HEX FLANGE HEAD CAP	3	
5	2	C3903990	Y	SCREW,HEX FLANGE HEAD CAP	2	
6	2	C4006930	Y	CLIP	2	
7	2	C4365897	Y	CLIP	1	
8	2	C4974922	Y	BREATHER,CRANKCASE	1	
9	2	C4974923	Y	TUBE,BREATHER	1	
10	2	C4975203	Y	HOSE,FLEXIBLE	1	

NO		OPTION	SALE	OPTION NAME	QTY	REMARKS
11	2	C69911	A Y	CLIP	1	

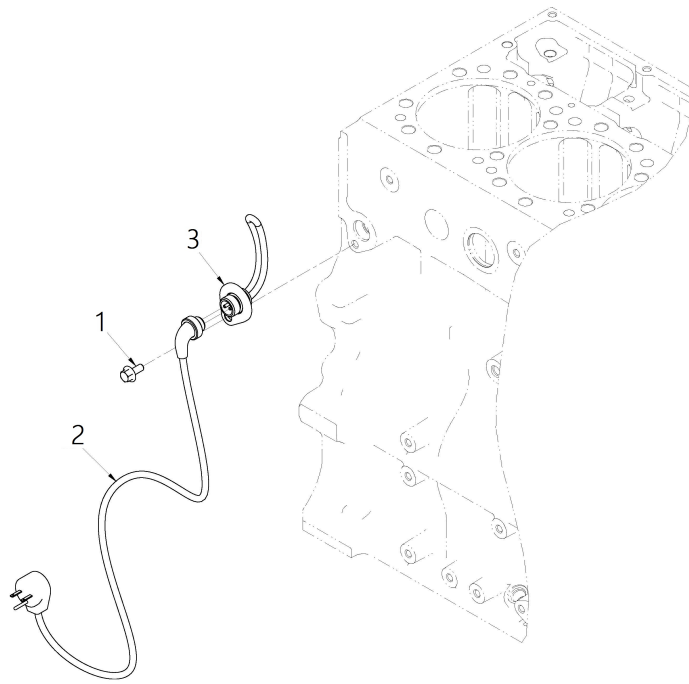


NO		OPTION	SALE	OPTION NAME	QTY	REMARKS
1	2	C108722	Y	CLIP	3	
2	2	C3678873	Y	PLUG,THREADED	1	
3	2	C3900630	Y	SCREW,HEX FLANGE HEAD CAP	1	
4	2	C3903990	Y	SCREW,HEX FLANGE HEAD CAP	1	
5	2	C4365688	Y	CONNECTOR,QCK DISCONNECT	1	
6	2	C4365823	Y	TUBE,CPR WATER OUTLET	1	
7	2	C4366010	Y	TUBE,CPR WATER OUTLET	1	
8	2	C4388930	Y	SPACER,THREADED	1	
9	2	C4975343	Y	UNION,MALE	1	
10	2	C4999903	Y	UNION,MALE	1	

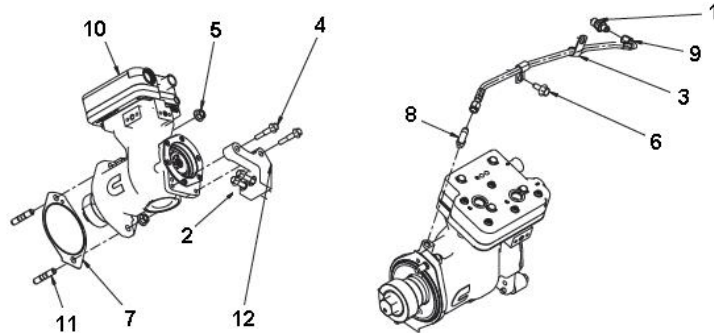
NO		OPTION	SALE	OPTION NAME	QTY	REMARKS
11	2	C5465929	N	TUBE,CPR WATER INLET	1	
12	2	C5472286	Y	UNION,MALE	1	



NO		OPTION	SALE	OPTION NAME	QTY	REMARKS
1	2	C2874021	Y	SUPPORT,BELT TENSIONER	1	
2	2	C2874073	Y	PULLEY,IDLER	1	
3	2	C3902460	Y	SCREW,HEX FLANGE HEAD CAP	3	
4	2	C3910496	Y	SCREW,SOCKET HEAD CAP	1	
5	2	C3922863	Y	SCREW,HEX FLANGE HEAD CAP	4	
6	2	C4320327	Y	TENSIONER,BELT	1	
7	2	C5580038	N	BELT,V RIBBED	1	

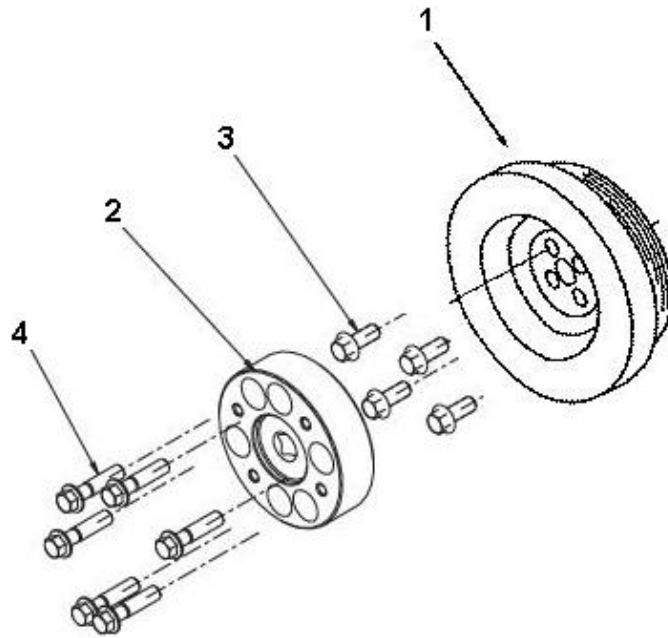


NO		OPTION	SALE	OPTION NAME	QTY	REMARKS
1	2	C3903990	Y	SCREW,HEX FLANGE HEAD CAP	1	
2	2	C3905114	Y	CABLE,ENGINE HEATER	1	
3	2	C4975274	Y	HEATER,ENGINE	1	

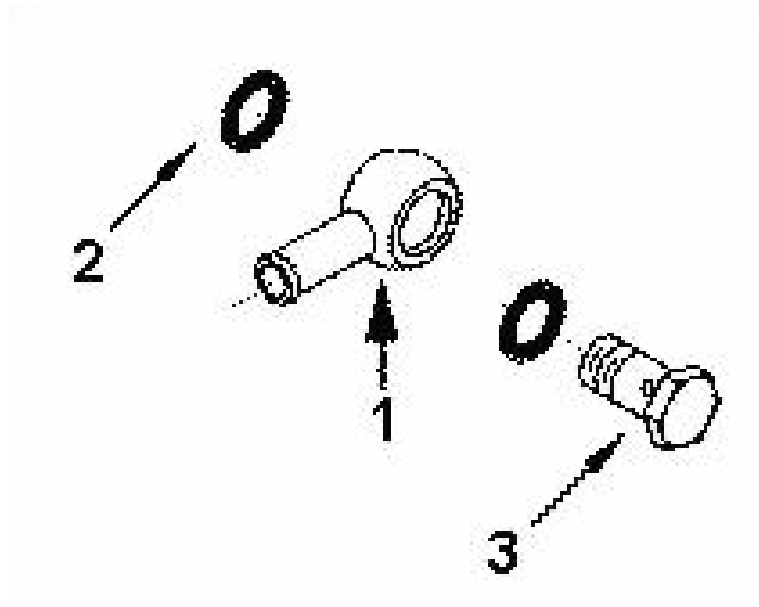


NO		OPTION	SALE	OPTION NAME	QTY	REMARKS
1	2	C2874358	Y	CONNECTOR,MALE	1	
2	2	C3089232	Y	SCREW,HEX FLANGE HEAD CAP	2	
3	2	C3609967	Y	CLIP	1	
4	2	C3900634	Y	SCREW,HEX FLANGE HEAD CAP	2	
5	2	C3903210	Y	NUT,HEXAGON FLANGE	2	
6	2	C3903990	Y	SCREW,HEX FLANGE HEAD CAP	1	
7	2	C3940245	Y	GASKET,HYDRAULIC PUMP	1	
8	2	C3945212	Y	ELBOW,PLAIN UNION	1	
9	2	C4327421	Y	HOSE,FLEXIBLE	1	
10	2	C4366072	Y	COMPRESSOR,AIR	1	

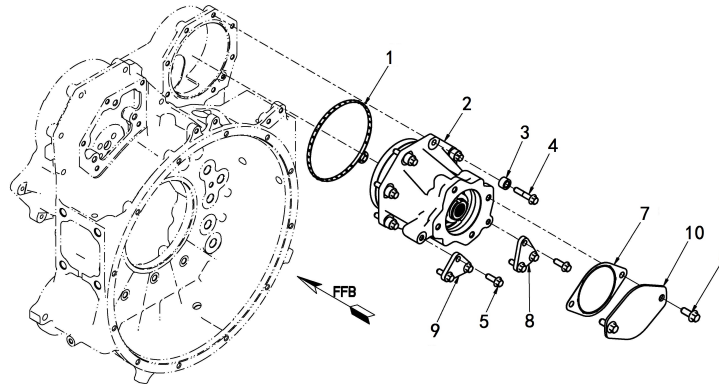
NO		OPTION	SALE	OPTION NAME	QTY	REMARKS
11	2	C4936931	Y	STUD,DOUBLE END PLAIN	2	
12	2	C4999897	Y	BRACE,AIR COMPRESSOR	1	



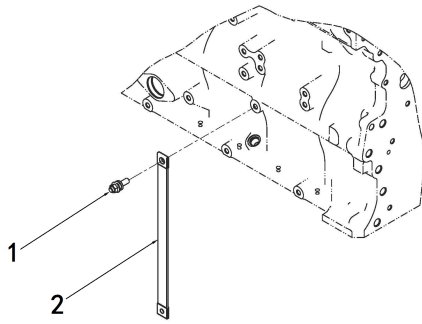
NO		OPTION	SALE	OPTION NAME	QTY	REMARKS
1	2	C2874325	N	DAMPER,VISCOUS VIBRATION	1	
2	2	C2874326	N	ADAPTER,DRIVE COUPLING	1	
3	2	C3100362	Y	SCREW,HEX FLANGE HEAD CAP	4	
4	2	C3820513	Y	SCREW,HEX FLANGE HEAD CAP	6	



NO		OPTION	SALE	OPTION NAME	QTY	REMARKS
1	2	C2874451	Y	CONNECTOR,BANJO	1	
2	2	C3963991	Y	WASHER,SEALING	2	
3	2	C4940181	Y	SCREW,BANJO CONNECTOR	1	



NO		OPTION	SALE	OPTION NAME	QTY	REMARKS
1	2	2869782	Y	SEAL,GEAR HOUSING	1	
2	2	2894631	Y	HOUSING,POWER TAKEOFF	1	
3	2	C3412351	Y	SPACER,MOUNTING	7	
4	2	C3900634	Y	SCREW,HEX FLANGE HEAD CAP	7	
5	2	C3903112	Y	SCREW,HEX FLANGE HEAD CAP	6	
6	2	C3093939	Y	SCREW,HEX FLANGE HEAD CAP	2	
7	2	C3929751	Y	GASKET,ACC DRIVE COVER	1	
8	2	C4327609	Y	BRACKET,POWER TAKEOFF	1	
9	2	C4327610	Y	BRACKET,POWER TAKEOFF	1	
10	2	C5664391	Y	PLATE,COVER	1	



NO		OPTION	SALE	OPTION NAME	QTY	REMARKS
1	2	C3903990	Y	SCREW,HEX FLANGE HEAD CAP	1	
2	2	C4932506	Y	WIRE,GROUND	1	

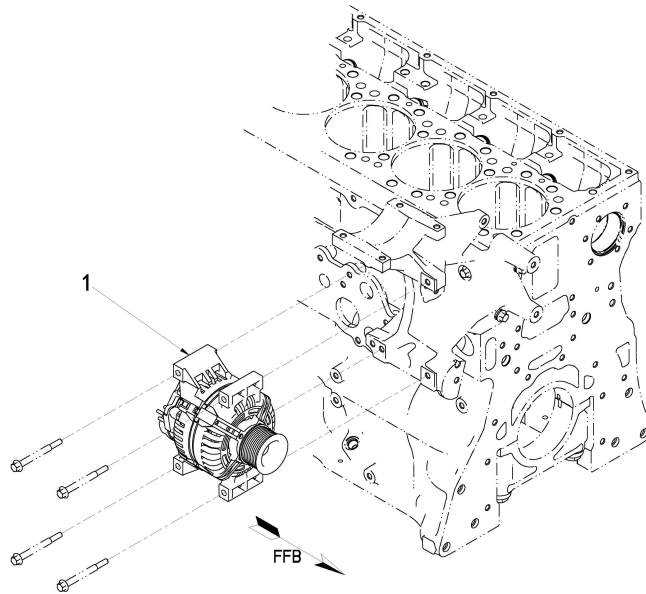


fig.50

NO		OPTION	SALE	OPTION NAME	QTY	REMARKS
1	2	C2874279	Y	ALTERNATOR	1	

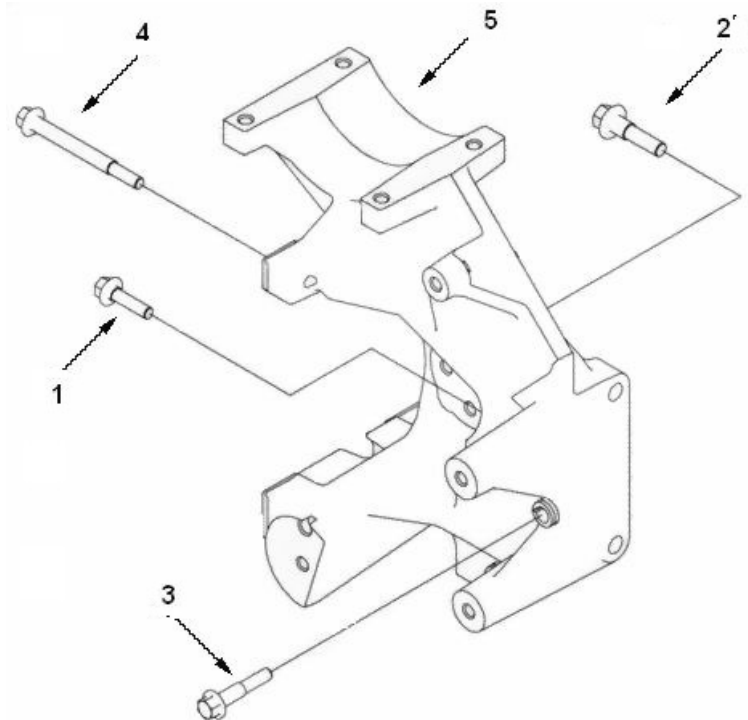


fig.51

NO		OPTION	SALE	OPTION NAME	QTY	REMARKS
1	2	C3089016	Y	SCREW,HEX FLANGE HEAD CAP	1	
2	2	C3093940	Y	SCREW,HEX FLANGE HEAD CAP	3	
3	2	C3900634	Y	SCREW,HEX FLANGE HEAD CAP	2	
4	2	C3914407	Y	SCREW,HEX FLANGE HEAD CAP	4	
5	2	C5580069	Y	SUPPORT,ALTERNATOR	1	

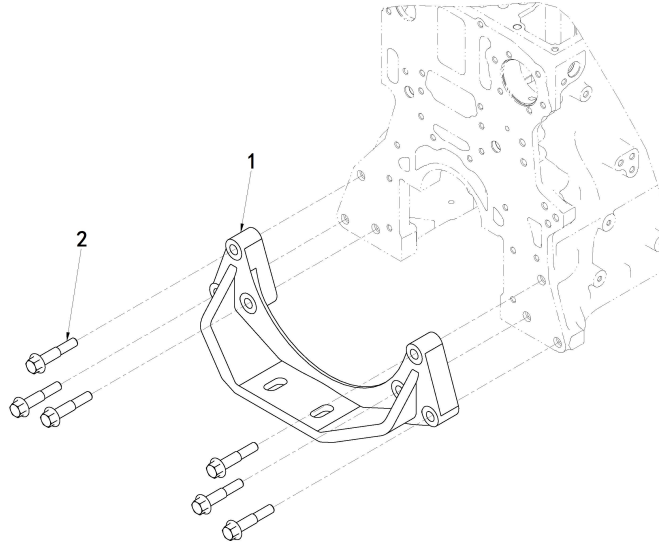


fig.52

NO		OPTION	SALE	OPTION NAME	QTY	REMARKS
1	2	C4974981	Y	SUPPORT,FRONT ENGINE	1	
2	2	C2874478	Y	SCREW,HEX FLANGE HEAD CAP	6	

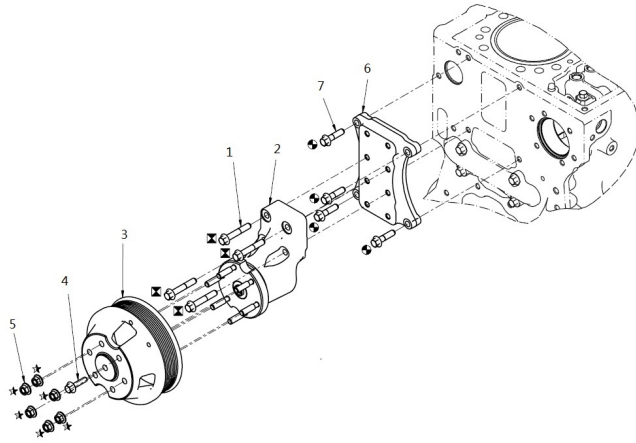


fig.53

NO		OPTION	SALE	OPTION NAME	QTY	REMARKS
1	2	C2874091	Y	SCREW,HEX FLANGE HEAD CAP	4	
2	2	C2874119	Y	HUB,FAN	1	
3	2	C2874280	Y	PULLEY,FAN	1	
4	2	C3089016	Y	SCREW,HEX FLANGE HEAD CAP	1	
5	2	C3093828	Y	NUT,HEXAGON FLANGE	6	
6	2	C4316727	Y	BRACKET,FAN	1	
7	3	C3925437	Y	SCREW,HEX FLANGE HEAD CAP	4	

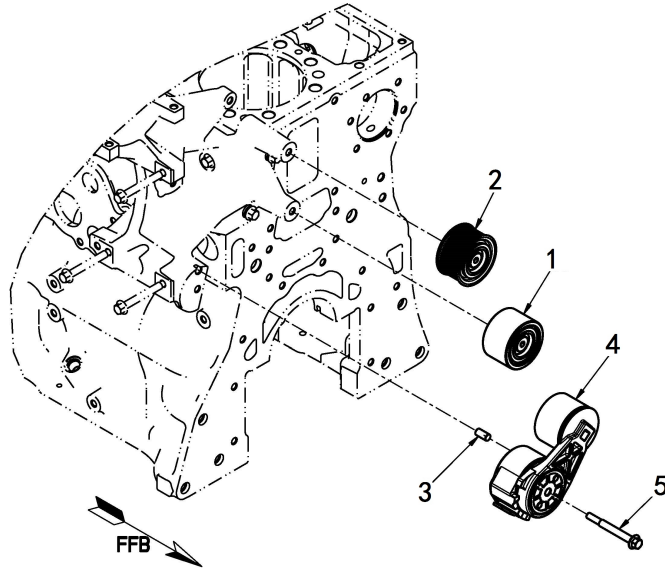


fig.54

NO		OPTION	SALE	OPTION NAME	QTY	REMARKS
1	2	C2874071	Y	PULLEY,IDLER	1	
2	2	C2874240	Y	PULLEY,IDLER	1	
3	2	C2874374	Y	DOWEL,PIN	1	
4	2	C2874377	Y	TENSIONER,BELT	1	
5	2	C3093936	Y	SCREW,HEX FLANGE HEAD CAP	1	

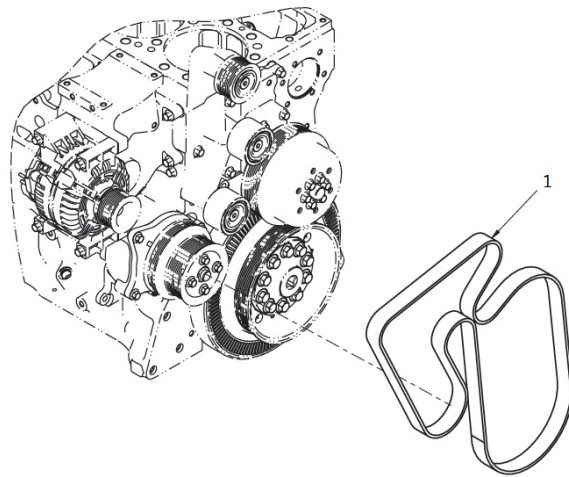


fig.55

NO		OPTION	SALE	OPTION NAME	QTY	REMARKS
1	2	C5580037	N	BELT,V RIBBED	1	

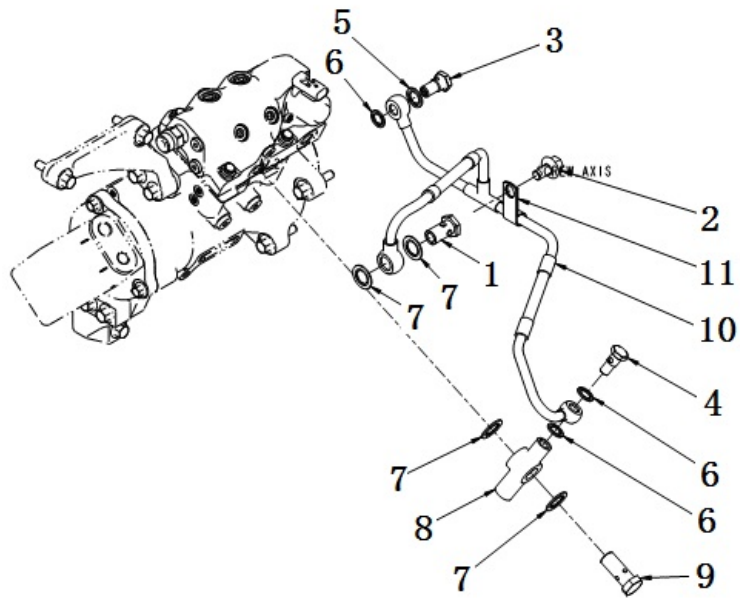


fig.56

NO		OPTION	SALE	OPTION NAME	QTY	REMARKS
1	2	C3866026	Y	SCREW,BANJO CONNECTOR	1	
2	2	C3913372	Y	SCREW,HEX FLANGE HEAD CAP	1	
3	2	C3957290	Y	VALVE,CHECK	1	
4	2	C3957770	Y	SCREW,BANJO CONNECTOR	1	
5	2	C3963988	Y	WASHER,SEALING	1	
6	2	C3963990	Y	WASHER,SEALING	3	
7	2	C3963991	Y	WASHER,SEALING	4	
8	2	C4327608	Y	UNION,BANJO CONNECTOR	1	
9	2	C4975072	Y	SCREW,BANJO CONNECTOR	1	
10	2	C4999678	Y	TUBE,FUEL DRAIN	1	

NO		OPTION	SALE	OPTION NAME	QTY	REMARKS
11	2	C4999845	Y	CLIP	1	

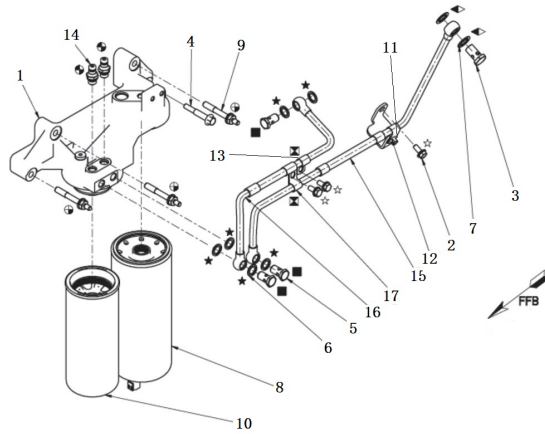


fig.57

NO		OPTION	SALE	OPTION NAME	QTY	REMARKS
1	2	C2874016	Y	HEAD,FUEL FILTER	1	
2	2	C3821783	Y	SCREW,CAPTIVE WASHER CAP	3	
3	2	C3866026	Y	SCREW,BANJO CONNECTOR	1	
4	2	C3900635	Y	SCREW,HEX FLANGE HEAD CAP	1	
5	2	C3924725	Y	SCREW,BANJO CONNECTOR	3	
6	2	C3963988	Y	WASHER,SEALING	6	
7	2	C3963991	Y	WASHER,SEALING	2	
8	2	C4327370	Y	FILTER,FUEL	1	
9	2	C4953096	Y	SCREW,SDD CAPTIVE WASHER	3	
10	2	C4960198	Y	FILTER,FUEL	1	

NO		OPTION	SALE	OPTION NAME	QTY	REMARKS
11	3	C3900630	Y	SCREW,HEX FLANGE HEAD CAP	1	
12	3	C4999916	Y	BRACE,TUBE	1	
13	3	C68152	Y	CLIP	1	
14	2	C5530737	N	NIPPLE,COUPLING	2	
15	2	C5537546	N	TUBE,FUEL SUPPLY	1	
16	2	C5580066	Y	TUBE,FUEL SUPPLY	1	
17	2	C68152	Y	CLIP	2	

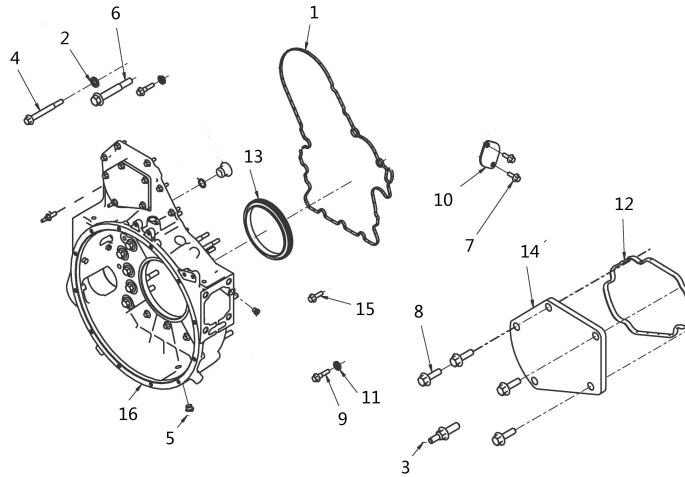


fig.58

NO		OPTION	SALE	OPTION NAME	QTY	REMARKS
1	2	2864946	Y	SEAL, FLYWHEEL HOUSING	1	
2	2	2870091	Y	WASHER, SEALING	6	
3	2	C3089188	Y	SCREW, HEX FLANGE HEAD CAP	6	
4	2	C3099832	Y	SCREW, HEX FLANGE HEAD CAP	10	
5	2	C3678610	Y	PLUG, THREADED	1	
6	2	C3900630	Y	SCREW, HEX FLANGE HEAD CAP	2	
7	2	C3903112	Y	SCREW, HEX FLANGE HEAD CAP	4	
8	2	C3903464	Y	SCREW, HEX FLANGE HEAD CAP	2	
9	2	C3925344	Y	SCREW, HEX FLANGE HEAD CAP	9	
10	2	C4365903	Y	COVER, ACCESS HOLE	1	

NO		OPTION	SALE	OPTION NAME	QTY	REMARKS
11	2	C4366006	N	WASHER,SEALING	2	
12	2	C4960139	Y	GASKET,COVER PLATE	1	
13	2	4962603	Y	SEAL,OIL	1	
14	2	C4974958	Y	PLATE,COVER	1	
15	2	C4026812	Y	SCREW,STUDED FLANGE CAP	2	
16	2	C5537559	N	HOUSING,FLYWHEEL	1	

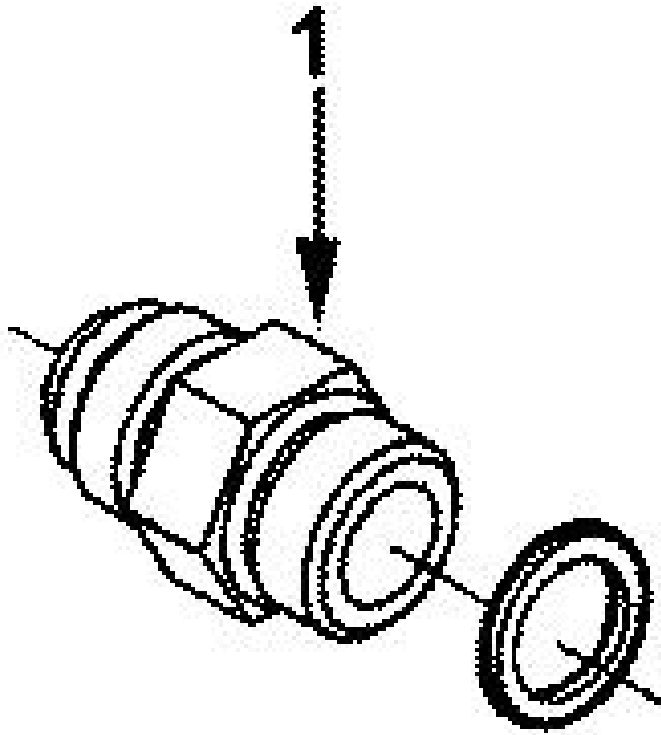


fig.59

NO		OPTION	SALE	OPTION NAME	QTY	REMARKS
1	2	C2874467	Y		1	
				UNION,MALE		

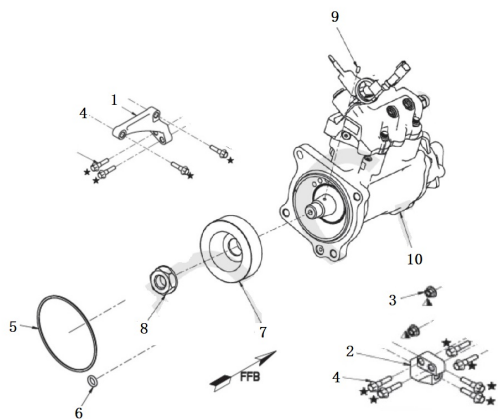


fig.60

NO		OPTION	SALE	OPTION NAME	QTY	REMARKS
1	2	C2869863	Y	SUPPORT,FUEL PUMP	1	
2	2	C2874622	Y	SUPPORT,FUEL PUMP	1	
3	2	C3902662	Y	NUT,HEXAGON FLANGE	2	
4	2	C3925437	Y	SCREW,HEX FLANGE HEAD CAP	10	
5	2	C4974852	Y	SEAL,O RING	1	
6	2	C4975226	Y	SEAL,FUEL PUMP BODY	1	
7	3	C4327643	Y	GEAR,FUEL PUMP	1	
8	3	C4903138	Y	NUT,HEXAGON FLANGE	1	
9	3	C5317051	Y	DOWEL,PIN	1	
10	3	D5491787	Y	PUMP,FUEL	1	

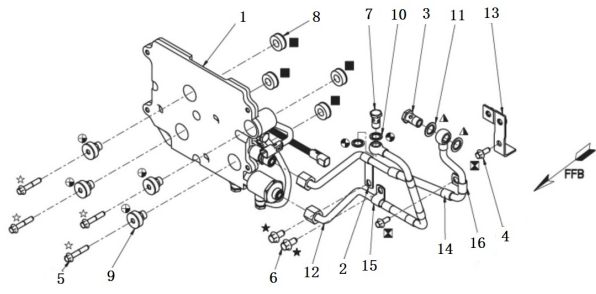


fig.61

NO		OPTION	SALE	OPTION NAME	QTY	REMARKS
1	2	C2874567	Y	PUMP,FUEL TRANSFER	1	
2	2	C2874597	Y	CLIP	1	
3	2	C3866026	Y	SCREW,BANJO CONNECTOR	1	
4	2	C3900630	Y	SCREW,HEX FLANGE HEAD CAP	2	
5	2	C3901445	Y	SCREW,HEX FLANGE HEAD CAP	4	
6	2	C3903990	Y	SCREW,HEX FLANGE HEAD CAP	2	
7	2	C3924725	Y	SCREW,BANJO CONNECTOR	1	
8	2	C3955219	Y	ISOLATOR,VIBRATION	4	
9	2	C3955220	Y	ISOLATOR,VIBRATION	4	
10	2	C3963988	Y	WASHER,SEALING	2	

NO		OPTION	SALE	OPTION NAME	QTY	REMARKS
11	2	C3963991	Y	WASHER,SEALING	2	
12	2	C4316789	Y	TUBE,FUEL SUPPLY	1	
13	2	C4999891	Y	BRACE,TUBE	1	
14	2	C5580067	Y	TUBE,FUEL SUPPLY	1	
15	2	C68152	Y	CLIP	1	
16	2	C68152	A Y	CLIP	1	

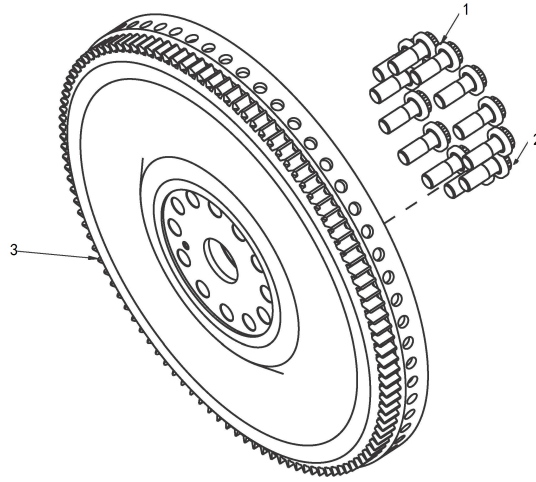


fig.62

NO		OPTION	SALE	OPTION NAME	QTY	REMARKS
2	2	C3678740	Y	SCREW,TWELVE POINT CAP	6	
3	2	C5472143	Y	FLYWHEEL	1	

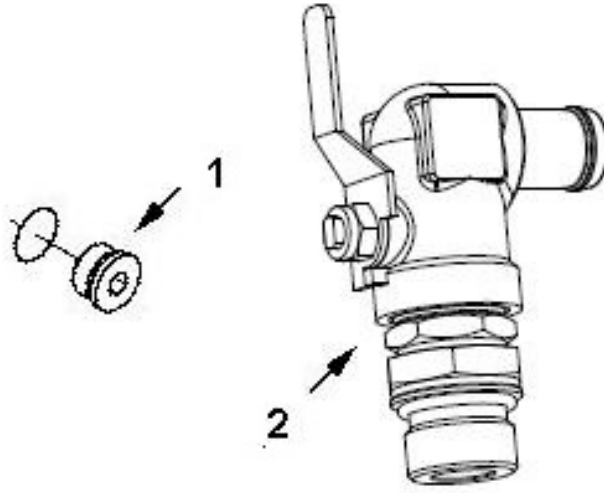


fig.63

NO		OPTION	SALE	OPTION NAME	QTY	REMARKS
1	2	C3678611	Y	PLUG,THREADED	4	
2	2	C5612714	Y	VALVE,COUPLING	1	

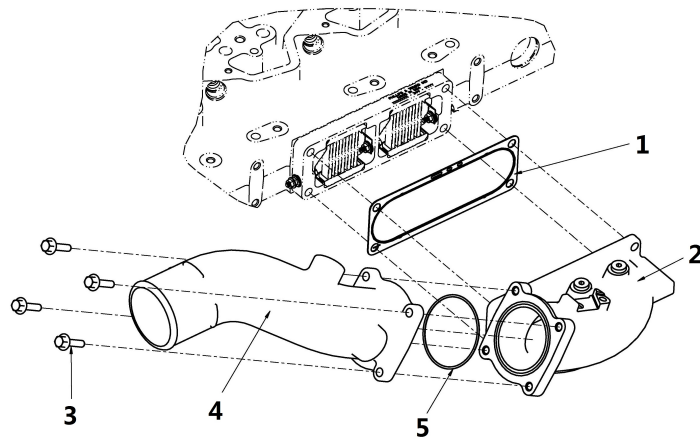


fig.64

NO		OPTION	SALE	OPTION NAME	QTY	REMARKS
1	2	C3102173	Y	GASKET,CONNECTION	1	
2	2	C2874586	Y	CONNECTION,AIR INTAKE	1	
3	2	C3089016	Y	SCREW,HEX FLANGE HEAD CAP	4	
4	2	C4327376	N	CONNECTION,AIR TRANSFER	1	
5	2	C4903514	Y	SEAL,O RING	1	

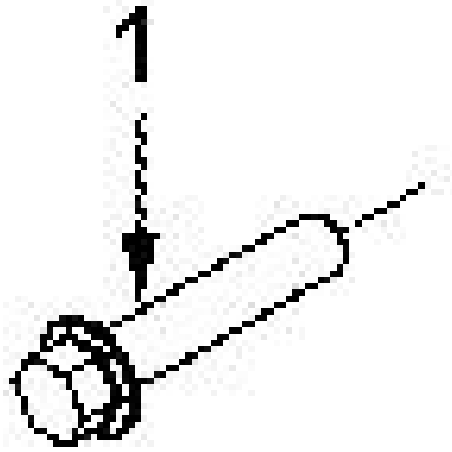


fig.65

NO		OPTION	SALE	OPTION NAME	QTY	REMARKS
1	3	C3093807	Y	SCREW,HEX FLANGE HEAD CAP	4	

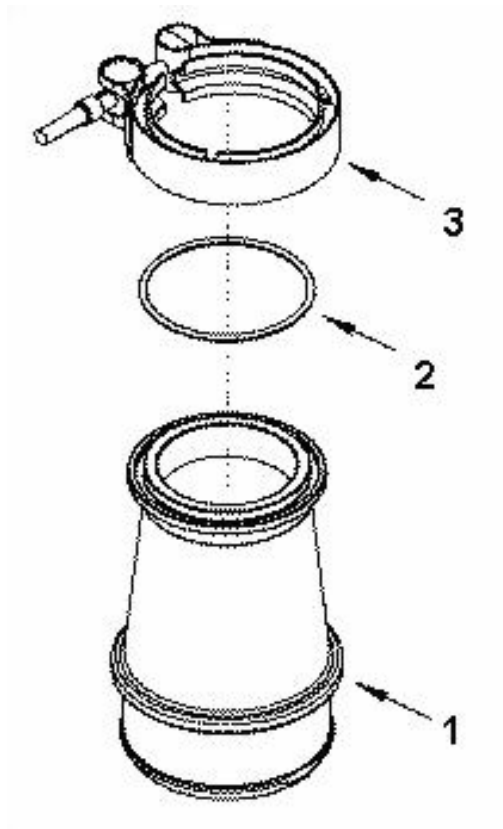


fig.66

NO		OPTION	SALE	OPTION NAME	QTY	REMARKS
1	2	C2874205	Y	CONNECTION,AIR TRANSFER	1	
2	2	C3682177	Y	SEAL,O RING	1	
3	2	C3684312	Y	CLAMP,V BAND	1	

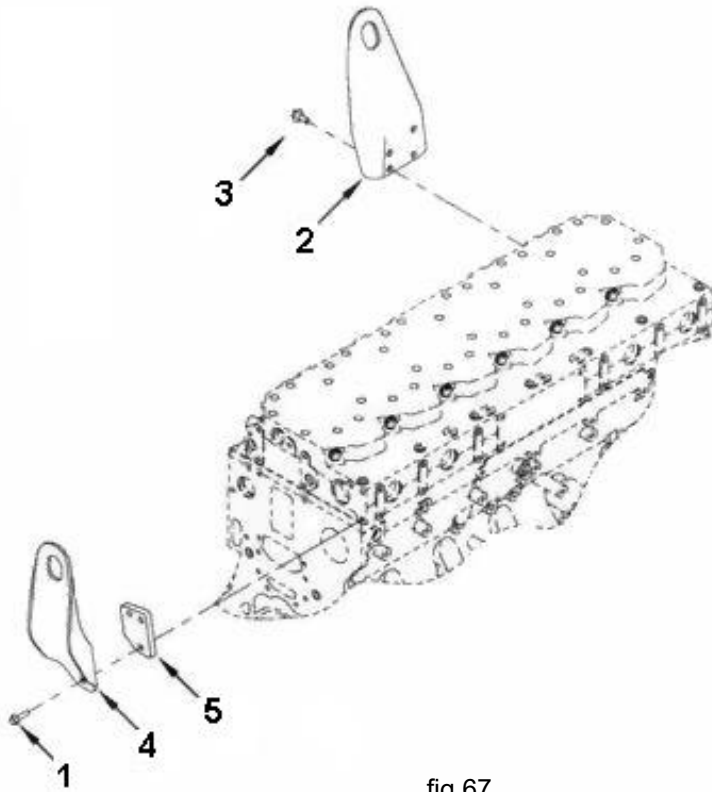


fig.67

NO		OPTION	SALE	OPTION NAME	QTY	REMARKS
1	2	C3093805	Y	SCREW,HEX FLANGE HEAD CAP	3	
2	2	C4327628	N	BRACKET,ENGINE LIFTING	1	
3	2	C4940240	Y	SCREW,HEX FLANGE HEAD CAP	4	
4	2	C4975097	Y	BRACKET,LIFTING	1	
5	2	C4975173	Y	SPACER,MOUNTING	1	

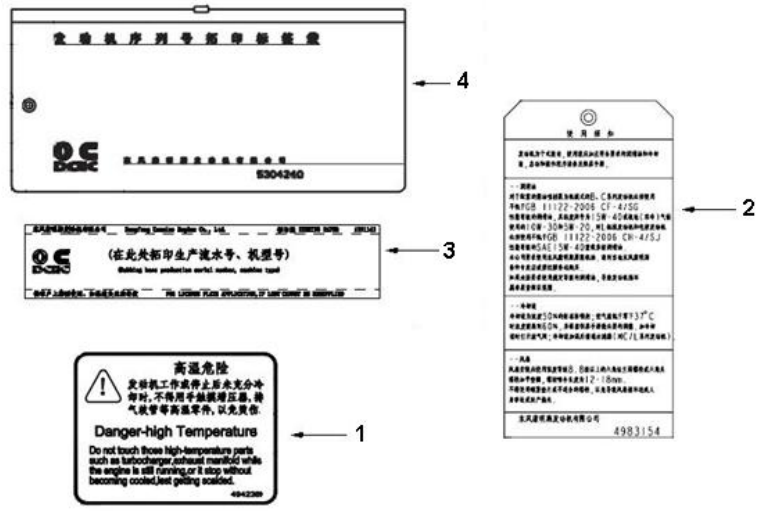


fig.68

NO		OPTION	SALE	OPTION NAME	QTY	REMARKS
1	2	C4942381	Y	DECAL	1	
2	2	C4983154	Y	TAG,INSTRUCTION	1	
3	2	C5291163	Y	TAG,IDENTIFICATION	2	
4	2	C5304240	Y	TAG,IDENTIFICATI	1	

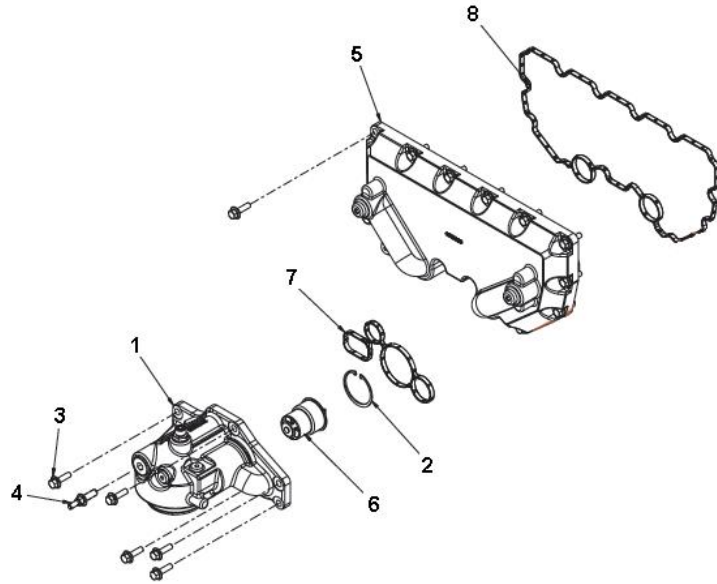


fig.69

NO		OPTION	SALE	OPTION NAME	QTY	REMARKS
1	2	C2870228	Y	HEAD,LUB OIL FILTER	1	
2	2	C3411881	Y	RING,RETAINING	1	
3	2	C3903112	Y	SCREW,HEX FLANGE HEAD CAP	19	
4	2	C4026812	Y	SCREW,STUDED FLANGE CAP	1	
5	2	C4316859	Y	HOUSING,OIL COOLER	1	
6	2	C4952629	Y	THERMOSTAT	1	
7	2	C4960214	Y	SEAL,OIL FILTER HEAD	1	
8	2	C4975215	Y	SEAL,OIL COOLER HOUSING	1	

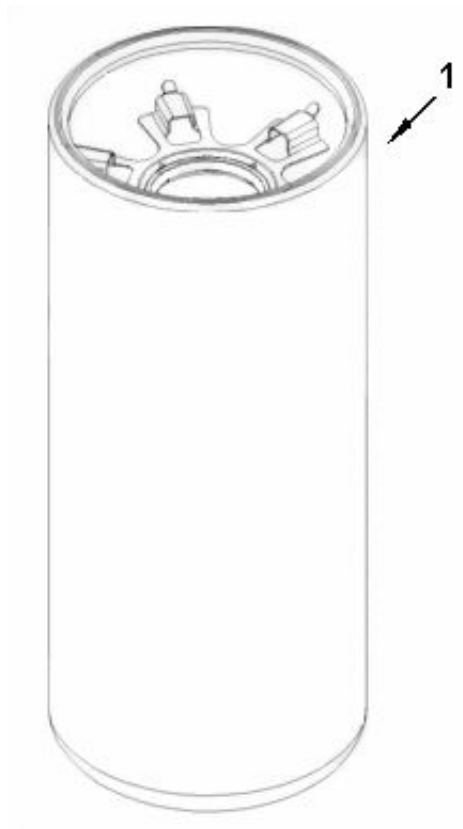


fig.70

NO		OPTION	SALE	OPTION NAME	QTY	REMARKS
1	2	C4331005	Y		1	
				FILTER,LUBRICATING OIL		

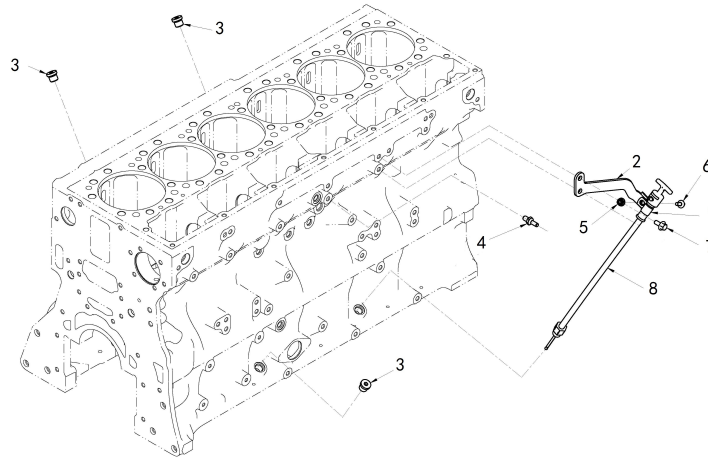


fig.71

NO		OPTION	SALE	OPTION NAME	QTY	REMARKS
1	2	C202888	Y	CLIP	1	
2	2	C2874063	Y	BRACE,TUBE	1	
3	2	C3678873	Y	PLUG,THREADED	2	
4	2	C3682941	Y	SCREW,STUDED HEXAGON CAP	1	
5	2	C3900589	Y	NUT,HEXAGON FLANGE	1	
6	2	C3900630	Y	SCREW,HEX FLANGE HEAD CAP	1	
7	2	C3903990	Y	SCREW,HEX FLANGE HEAD CAP	1	
8	2	4365960	N	DIPSTICK	1	

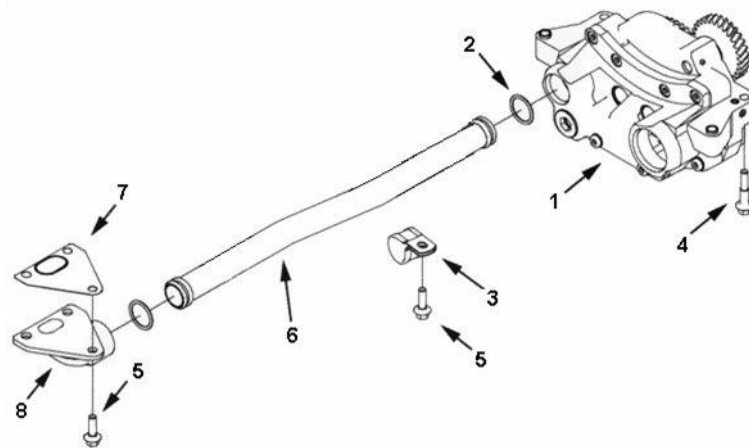


fig.72

NO		OPTION	SALE	OPTION NAME	QTY	REMARKS
1	2	C2883218	Y	PUMP,LUBRICATING OIL	1	
2	2	C3035027	Y	SEAL,O RING	2	
3	2	C3100250	Y	CLIP	1	
4	2	C3900634	Y	SCREW,HEX FLANGE HEAD CAP	4	
5	2	C3903112	Y	SCREW,HEX FLANGE HEAD CAP	4	
6	2	C4975037	Y	TUBE,LUB OIL TRANSFER	1	
7	2	C4975308	Y	GASKET,OIL TRF CONNECTION	1	
8	2	C4975309	Y	CONNECTION,OIL TRANSFER	1	

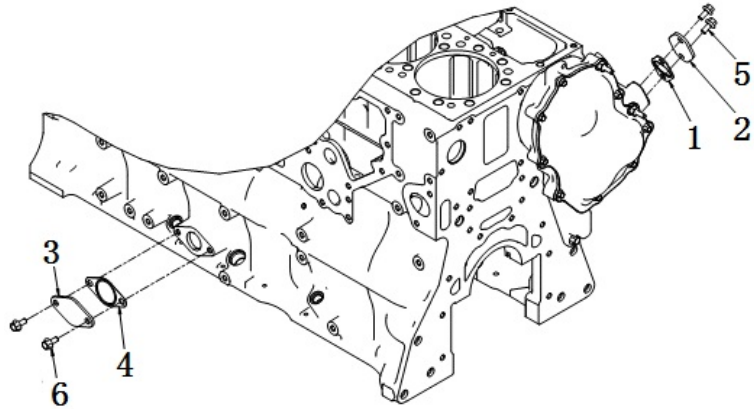


fig.73

NO		OPTION	SALE	OPTION NAME	QTY	REMARKS
1	2	C2864886	Y	GASKET,COVER PLATE	1	
2	2	C2864887	Y	PLATE,COVER	1	
3	2	C3680371	Y	PLATE,COVER	1	
4	2	C3680832	Y	GASKET,COVER PLATE	1	
5	2	C3903990	Y	SCREW,HEX FLANGE HEAD CAP	2	1

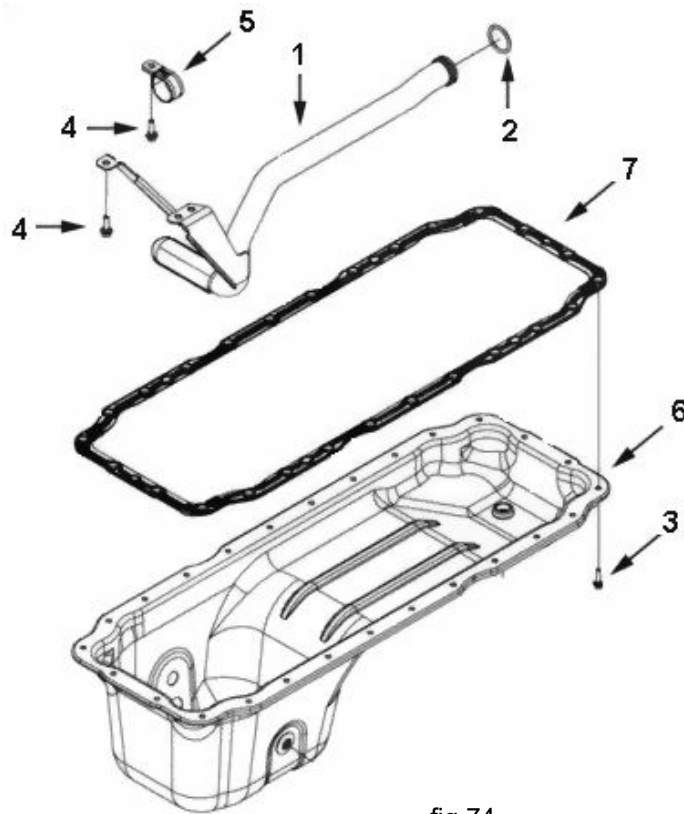


fig.74

NO		OPTION	SALE	OPTION NAME	QTY	REMARKS
1	2	C2864924	Y	CONNECTION,OIL SUCTION	1	
2	2	C3678756	Y	SEAL,O RING	1	
3	2	C3902114	Y	SCREW,HEX FLANGE HEAD CAP	26	
4	2	C3903112	Y	SCREW,HEX FLANGE HEAD CAP	4	
5	2	C4101506	Y	CLIP	1	
6	2	C4975061	Y	PAN,OIL	1	
7	2	C4975069	Y	GASKET,OIL PAN	1	

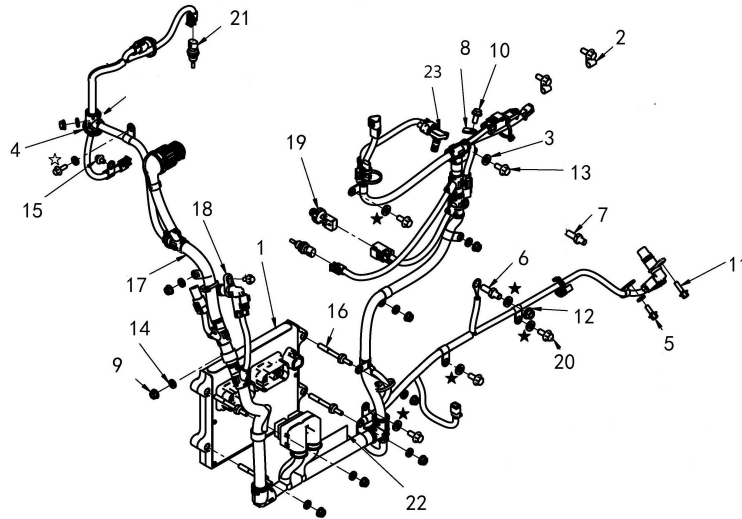


fig.75

NO		OPTION	SALE	OPTION NAME	QTY	REMARKS
1	3	C4995445	Y	MODULE,ELECTRONIC CONTRO	1	
2	2	C180372	N	CLIP	2	
3	2	C3036460	Y	WASHER,SPRING	5	
4	2	C3062329	Y	CLAMP,WIRE TIE	6	
5	2	C3093775	Y	SCREW,HEX FLANGE HEAD CAP	1	
6	2	C3681386	Y	SCREW,STUDED HEXAGON CAP	1	
7	2	C3682941	Y	SCREW,STUDED HEXAGON CAP	1	
8	2	C3684241	Y	BRACE,RETAINING	1	
9	2	C3900589	Y	NUT,HEXAGON FLANGE	9	
10	2	C3900629	Y	SCREW,HEX FLANGE HEAD CAP	1	

NO		OPTION	SALE	OPTION NAME	QTY	REMARKS
11	2	C3900631	Y	SCREW,HEX FLANGE HEAD CAP	1	
12	2	C3902662	Y	NUT,HEXAGON FLANGE	1	
13	2	C3903990	Y	SCREW,HEX FLANGE HEAD CAP	5	
14	2	C3910266	Y	WASHER,SPRING	10	
15	2	C3921742	Y	SCREW,HEX FLANGE HEAD CAP	1	
16	2	C4933208	Y	SCREW,STUDED HEXAGON CAP	4	
17	2	C5472217	N	HARNES,ETR CNT MDL WRG	1	
18	2	D2897334	Y	SENSOR,PRS TEMPERATURE	1	
19	2	D4921517	Y	SENSOR,PRESSURE	1	
20	2	C3821783	Y	SCREW,CAPTIVE WASHER CAP	1	
21	2	C4954905	Y	SENSOR,TEMPERATURE	2	1
22	2	C5587474	Y	DATAPLATE	1	
23	2	C5594276	Y	SENSOR,POSITION	2	

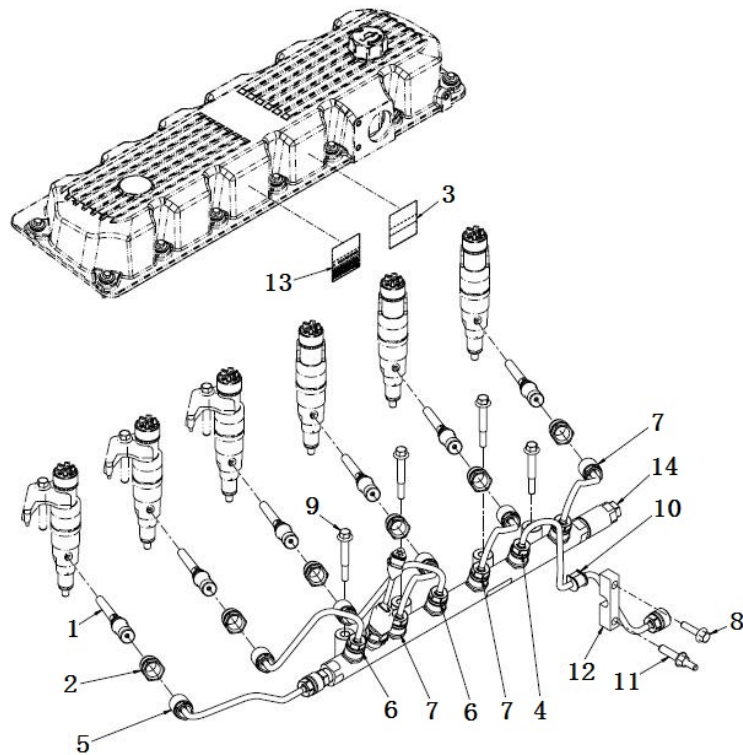


fig.76

NO		OPTION	SALE	OPTION NAME	QTY	REMARKS
1	2	C4316814	Y	CONNECTOR,INJ FUEL SUPPLY	6	
2	2	C2872317	Y	RETAINER,INJ FUL SUP CNR	6	
3	2	C2874090	Y	DECAL	1	
4	2	C2874410	Y	TUBE,INJECTOR FUEL SUPPLY	1	
5	2	C2899571	Y	TUBE,INJECTOR FUEL SUPPLY	1	
6	2	C2899572	Y	TUBE,INJECTOR FUEL SUPPLY	2	
7	2	C2899573	Y	TUBE,INJECTOR FUEL SUPPLY	3	
8	2	C3089016	Y	SCREW,HEX FLANGE HEAD CAP	1	
9	2	C3904446	Y	SCREW,HEX FLANGE HEAD CAP	4	
10	2	C4009779	Y	ISOLATOR,VIBRATION	1	

NO		OPTION	SALE	OPTION NAME	QTY	REMARKS
11	2	C4062666	Y	SCREW,STUDED FLANGE CAP	1	
12	2	C4999824	Y	CLAMP,TUBE	1	
13	2	C4999842	Y	DECAL	1	
14	2	D4307370	Y	ACCUMULATOR	1	

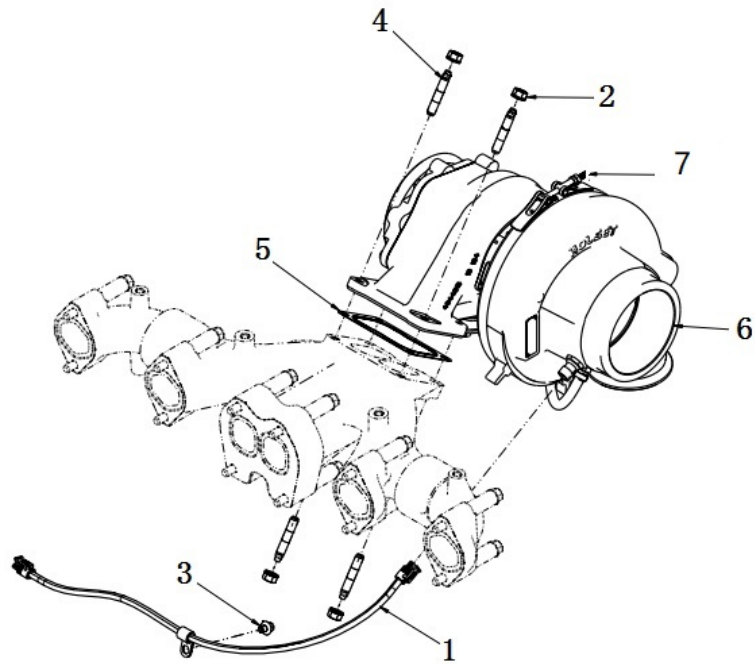


fig.77

NO		OPTION	SALE	OPTION NAME	QTY	REMARKS
1	2	C2874269	Y	HARNESS,WIRING	1	
2	2	C3818824	Y	NUT,HEXAGON FLANGE	4	
3	2	C3921742	Y	SCREW,HEX FLANGE HEAD CAP	1	
4	2	C4327413	Y	STUD,HIGH TEMPERATURE	4	
5	2	C4999869	Y	GASKET,TURBOCHARGER	1	
6	2	C5327805	N	TURBOCHARGER	1	
7	2	C3062329	Y	CLAMP,WIRE TIE	1	

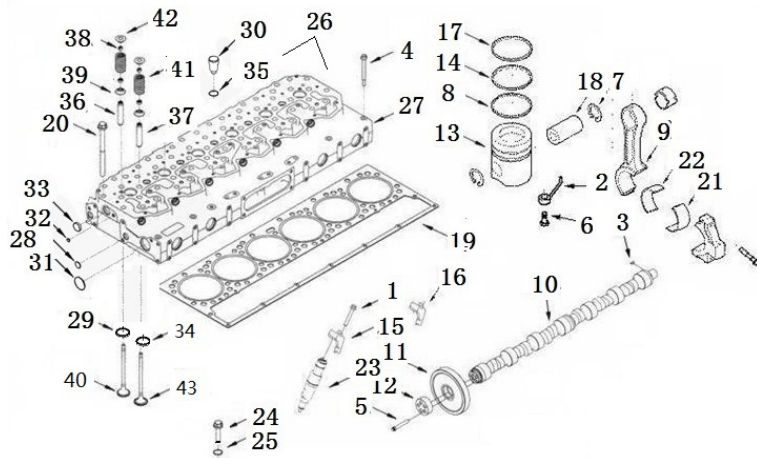


fig.78

NO		OPTION	SALE	OPTION NAME	QTY	REMARKS
1	2	C2830730	Y	SCREW,HEX FLANGE HEAD CAP	6	
2	2	C2869962	Y	NOZZLE,PISTON COOLING	6	
3	2	C3009953	Y	KEY,PLAIN WOODRUFF	1	
4	2	C3093806	Y	SCREW,HEX FLANGE HEAD CAP	7	
5	2	C3101459	Y	SCREW,TWELVE POINT CAP	5	
6	2	C3102136	Y	SCREW,BANJO CONNECTOR	6	
7	2	C3820782	Y	RING,RETAINING	12	
8	2	C4316887	Y	RING,OIL PISTON	6	
9	2	C4327409	Y	ROD,ENGINE CONNECTING	6	
10	2	C4327560	N	CAMSHAFT	1	

NO		OPTION	SALE	OPTION NAME	QTY	REMARKS
11	2	C4327645	N	GEAR,CAMSHAFT	1	
12	2	C4365966	Y	PLATE,CLAMPING	1	
13	2	C4388983	Y	PISTON,ENGINE	6	
14	2	C4959949	Y	RING,COMPRESSION PISTON	6	
15	2	C4974970	Y	CLAMP,INJECTOR	3	
16	2	C4974971	Y	CLAMP,INJECTOR	3	
17	2	C4974985	Y	RING,COMPRESSION PISTON	6	
18	2	C4975036	Y	PIN,PISTON	6	
19	2	C4975249	Y	GASKET,CYLINDER HEAD	1	
20	2	C4975321	Y	SCREW,HEX FLANGE HEAD CAP	38	
21	2	C4999948	Y	BEARING,CONNECTING ROD	6	
22	2	C4999949	Y	BEARING,CONNECTING ROD	6	
23	2	D4326959	Y	INJECTOR	6	
24	2	C3935271	Y	SCREW,HEX FLANGE HEAD CAP	1	
25	2	C4999779	Y	WASHER,SEALING	1	
26	2	C5612712	Y	HEAD,CYLINDER	1	
27	3	C2874198	Y	HEAD,CYLINDER	1	
28	5	C205401	Y	PLUG,EXPANSION	18	
29	5	C2869830	Y	INSERT,VALVE	12	
30	5	C2874027	Y	SLEEVE,INJECTOR	6	
31	5	C3015865	Y	PLUG,EXPANSION	6	
32	5	C3813247	Y	PLUG,EXPANSION	8	

NO		OPTION	SALE	OPTION NAME	QTY	REMARKS
33	5	C3945098	Y	PLUG,EXPANSION	6	
34	5	C4960107	Y	INSERT,VALVE	12	
35	5	C4960206	Y	SEAL,RECTANGULAR RING	6	
36	5	C4389063	N	GUIDE,VALVE STEM	24	
37	3	C3102095	Y	GUIDE,VALVE SPRING	24	
38	3	3680883	Y	COLLET,VALVE	48	
39	3	4003966	Y	SEAL,VALVE STEM	24	
40	3	C4365850	N	VALVE,INTAKE	12	
41	3	C4960050	Y	SPRING,VALVE	24	
42	3	C4975322	Y	RETAINER,VALVE SPRING	24	
43	3	C4999807	Y	VALVE,EXHAUST	12	

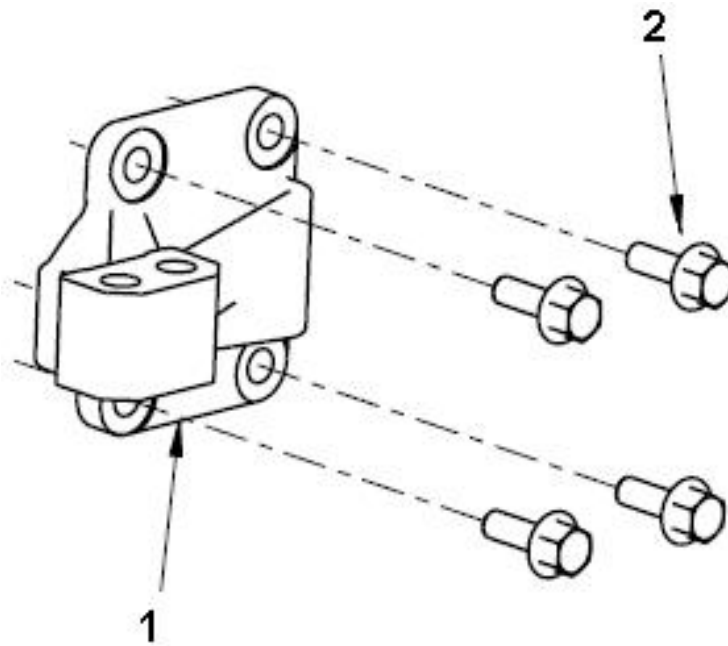


fig.79

NO		OPTION	SALE	OPTION NAME	QTY	REMARKS
1	2	C2874292	Y	SUPPORT,REAR ENGINE	2	
2	2	C2874559	Y	SCREW,HEX FLANGE HEAD CA	8	

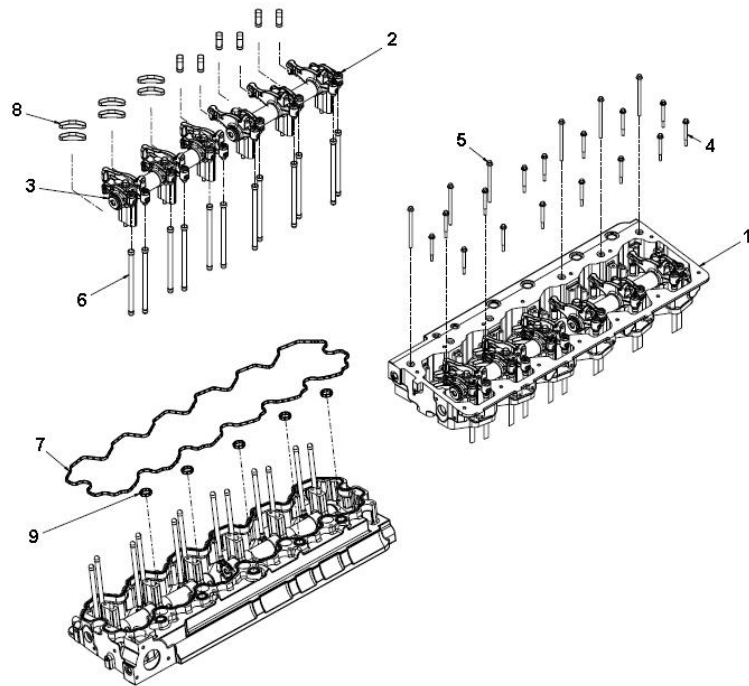


fig80

NO		OPTION	SALE	OPTION NAME	QTY	REMARKS
1	2	C2874585	N	HOUSING,ROCKER LEVER	1	
2	2	C2883252	Y	LEVER,ROCKER TLA	1	
3	2	C2883256	Y	LEVER,ROCKER TLA	1	
4	2	C3902112	Y	SCREW,HEX FLANGE HEAD CAP	15	
5	2	C3968959	Y	SCREW,HEX FLANGE HEAD CAP	6	
6	2	C4974975	Y	ROD,PUSH	12	
7	2	C4975214	Y	SEAL,ROCKER LEVER HOUSING	1	
8	2	C4999685	Y	CROSSHEAD,VALVE	12	
9	2	C4999778	Y	SEAL,ROCKER LEVER HOUSING	5	

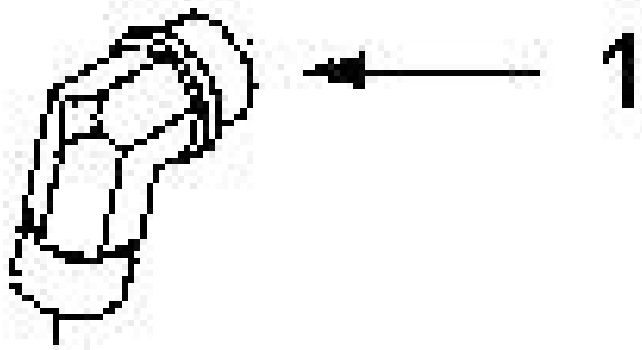


fig.81

NO		OPTION	SALE	OPTION NAME	QTY	REMARKS
1	2	C4327405	Y	VALVE,COUPLING	1	

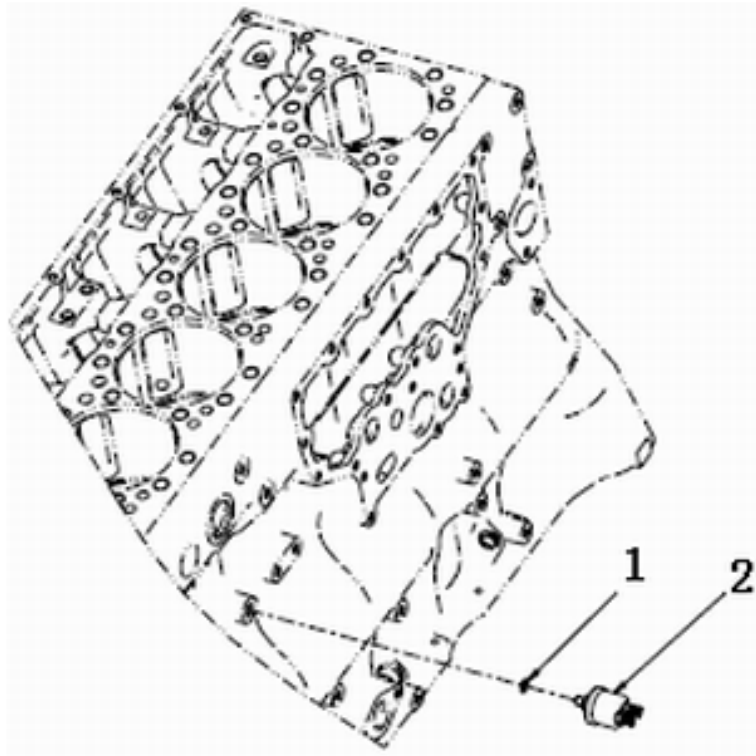


fig.82

NO		OPTION	SALE	OPTION NAME	QTY	REMARKS
1	2	C3678912	Y	SEAL,O RING	1	
2	2	C4931169	Y	SENSOR,OIL PRESSURE	1	

NO		OPTION	SALE	OPTION NAME	QTY	REMARKS
1	2	C5263467	Y	BRACKET,SHIPPING	1	
2	2	C5263469	Y	CONTAINER,ENGINE	1	
3	2	C5263528	Y	DECAL	1	
4	2	C5681911	Y	COVER,DRIP	1	
5	2	C4365742	Y	INHIBITOR,CORROSION	6	
6	2	C4365743	Y	COVER,DRIP	1	

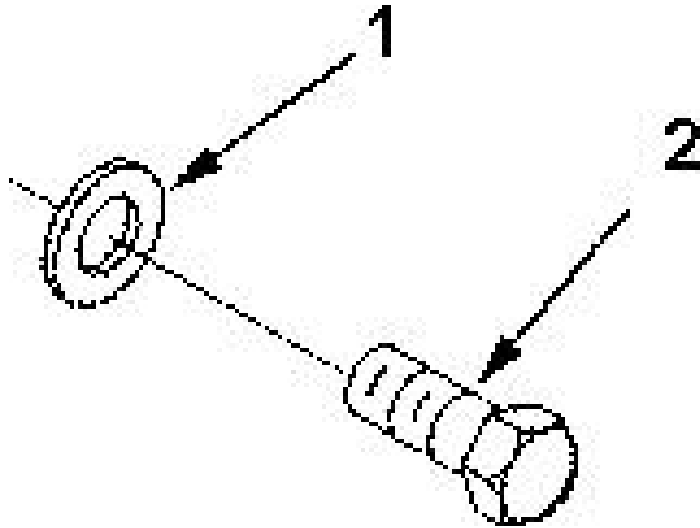


fig.83

NO		OPTION	SALE	OPTION NAME	QTY	REMARKS
1	2	C3018007	Y	WASHER,PLAIN	3	
2	2	C4907093	Y	SCREW,TWELVE POINT CAP	3	

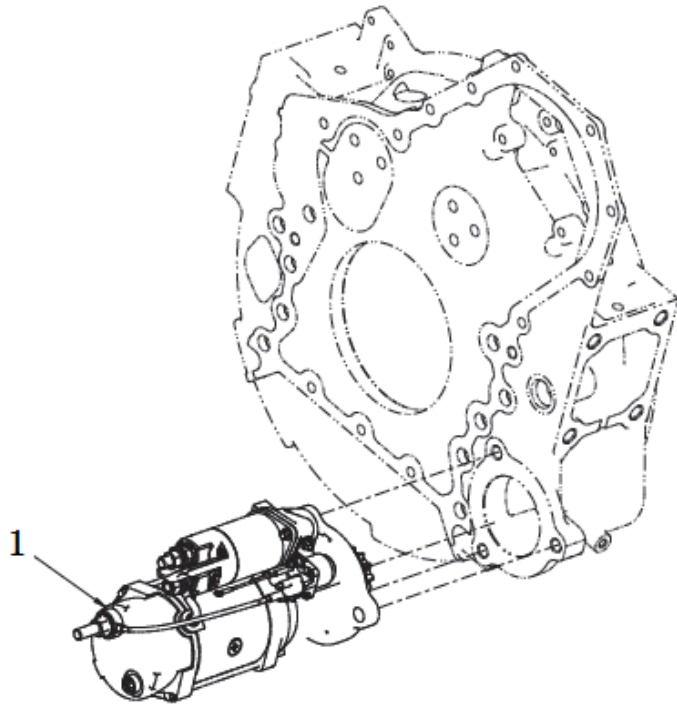


fig.84

NO		OPTION	SALE	OPTION NAME	QTY	REMARKS
1	2	C2874455	N	MOTOR,STARTING	1	

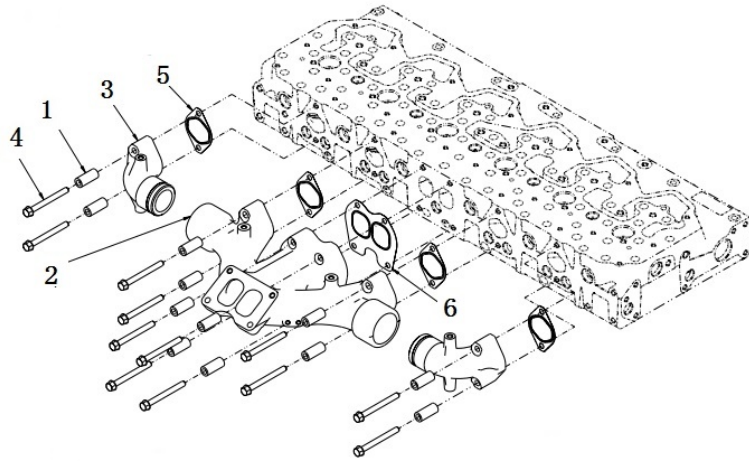


fig.85

NO		OPTION	SALE	OPTION NAME	QTY	REMARKS
1	2	C2883667	Y	SPACER,MOUNTING	12	
2	2	C4316767	Y	MANIFOLD,EXHAUST	1	
3	2	C4365900	Y	MANIFOLD,EXHAUST	2	
4	2	C4965698	Y	SCREW,HEX FLANGE HEAD CAP	12	
5	2	C5580252	N	GASKET,EXHAUST MANIFOLD	4	
6	2	C5580253	N	GASKET,EXHAUST MANIFOLD	1	

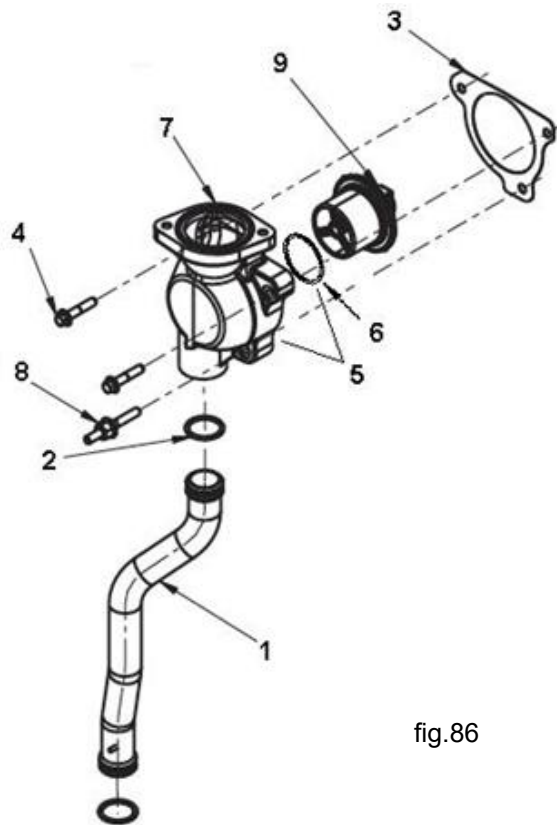


fig.86

NO		OPTION	SALE	OPTION NAME	QTY	REMARKS
1	2	C2874037	Y	TUBE,WATER BYPASS	1	
2	2	C3035026	Y	SEAL,O RING	2	
3	2	C3101054	Y	GASKET,THERMOSTAT HOUSING	1	
4	2	C3900678	Y	SCREW,HEX FLANGE HEAD CAP	2	
5	2	C4959844	Y	HOUSING,THERMOSTAT	1	
6	3	3084879	Y	SEAL,THERMOSTAT	1	
7	3	C4959845	Y	HOUSING,THERMOSTAT	1	
8	2	C4899717	Y	SCREW,STUDED FLANGE CAP	1	
9	2	D4318947	Y	THERMOSTAT	1	

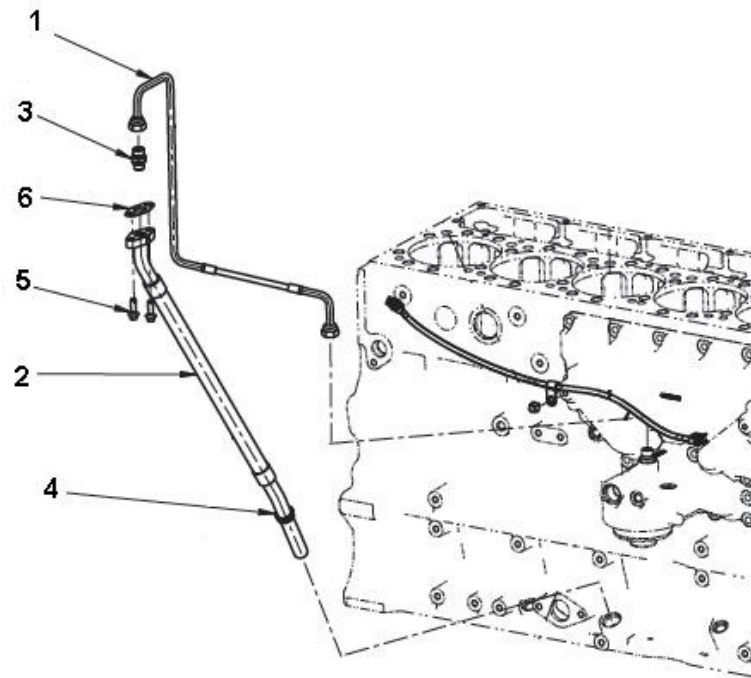


fig.87

NO		OPTION	SALE	OPTION NAME	QTY	REMARKS
1	2	C2873983	Y	HOSE,FLEXIBLE	1	
2	2	C2873984	Y	CONNECTION,TUR OIL DRAIN	1	
3	2	C3090400	Y	UNION,MALE	1	
4	2	C3678762	Y	SEAL,GROMMET	1	
5	2	C3900631	Y	SCREW,HEX FLANGE HEAD CAP	2	
6	2	C4960136	Y	GASKET,FLANGE	1	

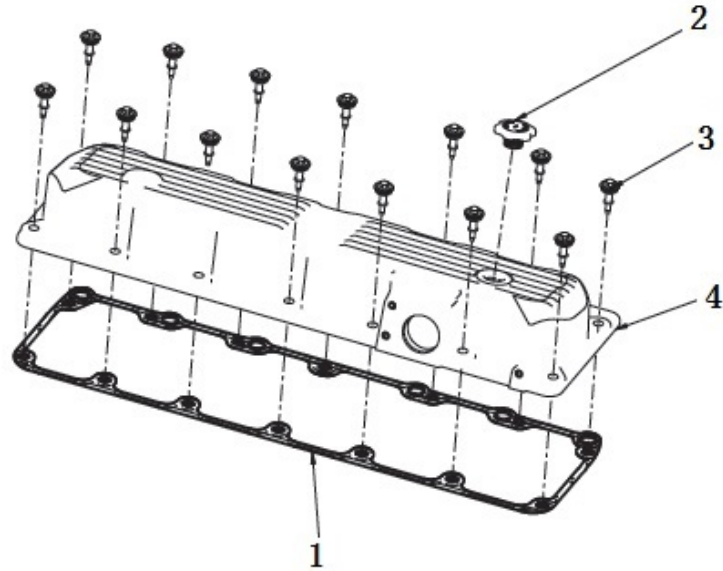


fig.88

NO		OPTION	SALE	OPTION NAME	QTY	REMARKS
1	2	C2869891	Y	GASKET,VALVE COVER	1	
2	2	C3973511	Y	CAP,FILLER	1	
3	2	C4974997	Y	ISOLATOR,NOISE	14	
4	2	C5633160	Y	COVER,VALVE	1	

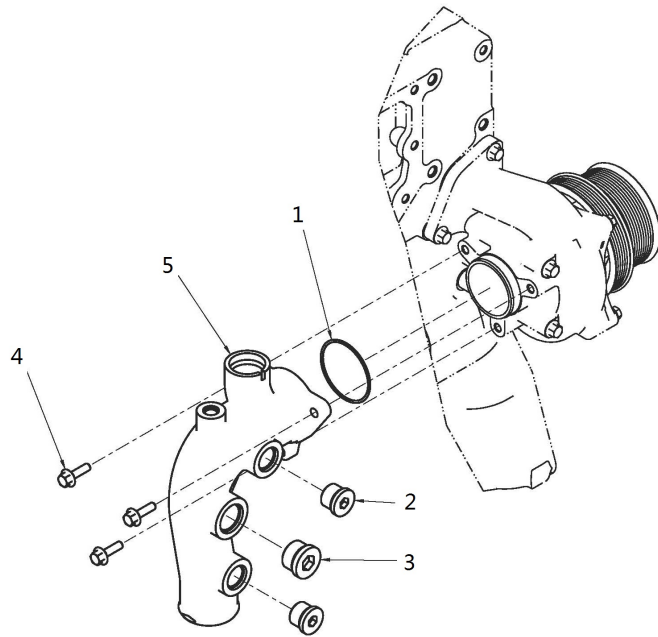


fig.89

NO		OPTION	SALE	OPTION NAME	QTY	REMARKS
1	2	C145558	Y	SEAL,O RING	1	
2	2	C3678611	Y	PLUG,THREADED	2	
3	2	C3678838	Y	PLUG,THREADED	1	
4	2	C3903112	Y	SCREW,HEX FLANGE HEAD CAP	3	
5	2	C4366035	Y	CONNECTION,WATER INLET	1	

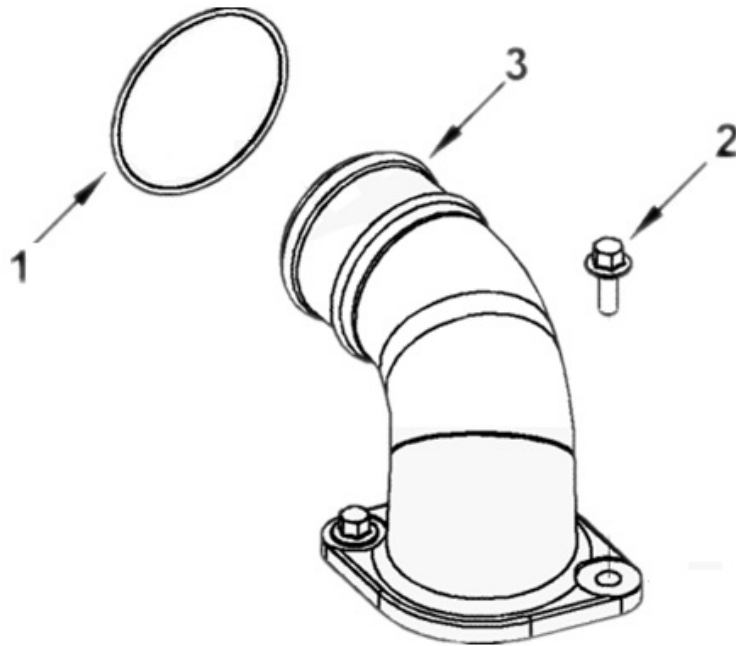


fig.90

NO		OPTION	SALE	OPTION NAME	QTY	REMARKS
1	2	C145558	Y	SEAL,O RING	1	
2	2	C3900630	Y	SCREW,HEX FLANGE HEAD CAP	2	
3	2	C4975016	Y	CONNECTION,WATER OUTLET	1	

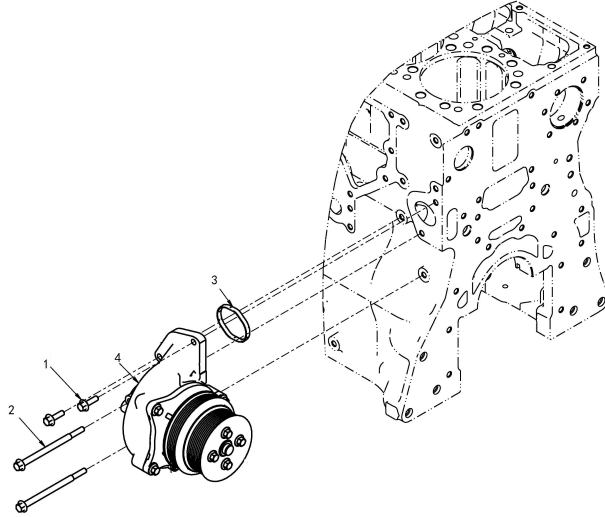


fig.91

NO		OPTION	SALE	OPTION NAME	QTY	REMARKS
1	2	C3903112	Y	SCREW,HEX FLANGE HEAD CAP	2	
2	2	C3904987	Y	SCREW,HEX FLANGE HEAD CAP	2	
3	2	C4974918	Y	SEAL,WATER PUMP HOUSING	1	
4	2	C5580047	Y	PUMP,WATER	1	

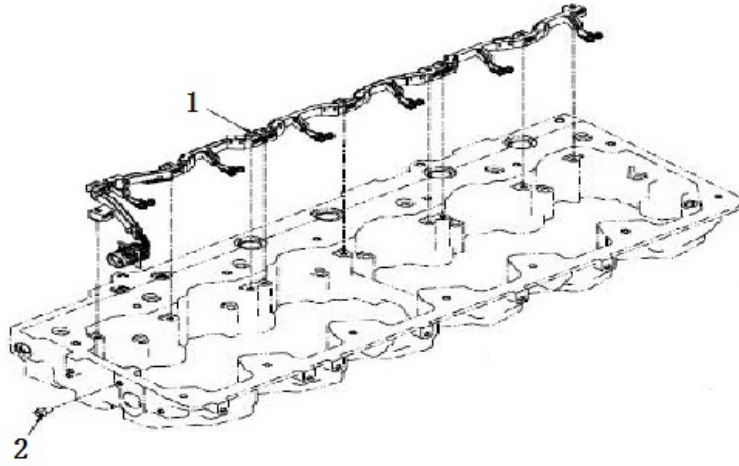


fig.92

NO		OPTION	SALE	OPTION NAME	QTY	REMARKS
1	2	C2874337	Y	HARNESS,WIRING	1	
2	2	C3900629	Y	SCREW,HEX FLANGE HEAD CAP	1	

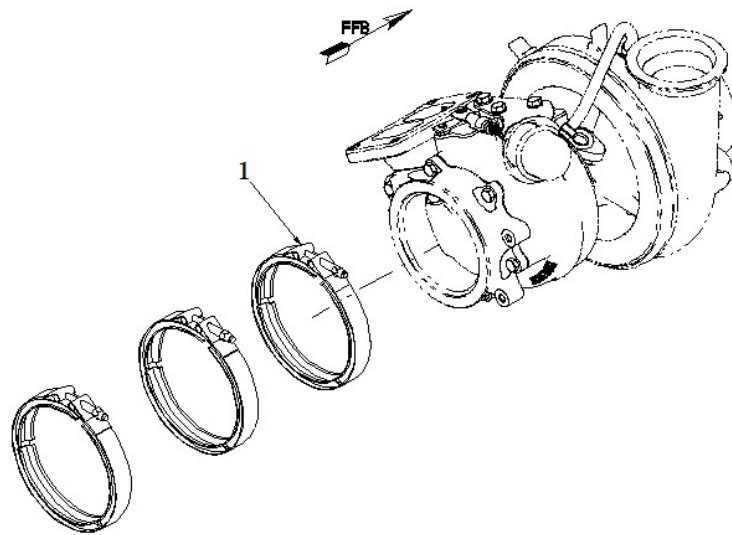


fig.93

NO		OPTION	SALE	OPTION NAME	QTY	REMARKS
1	2	C186917	Y		3	
				CLAMP,V BAND		