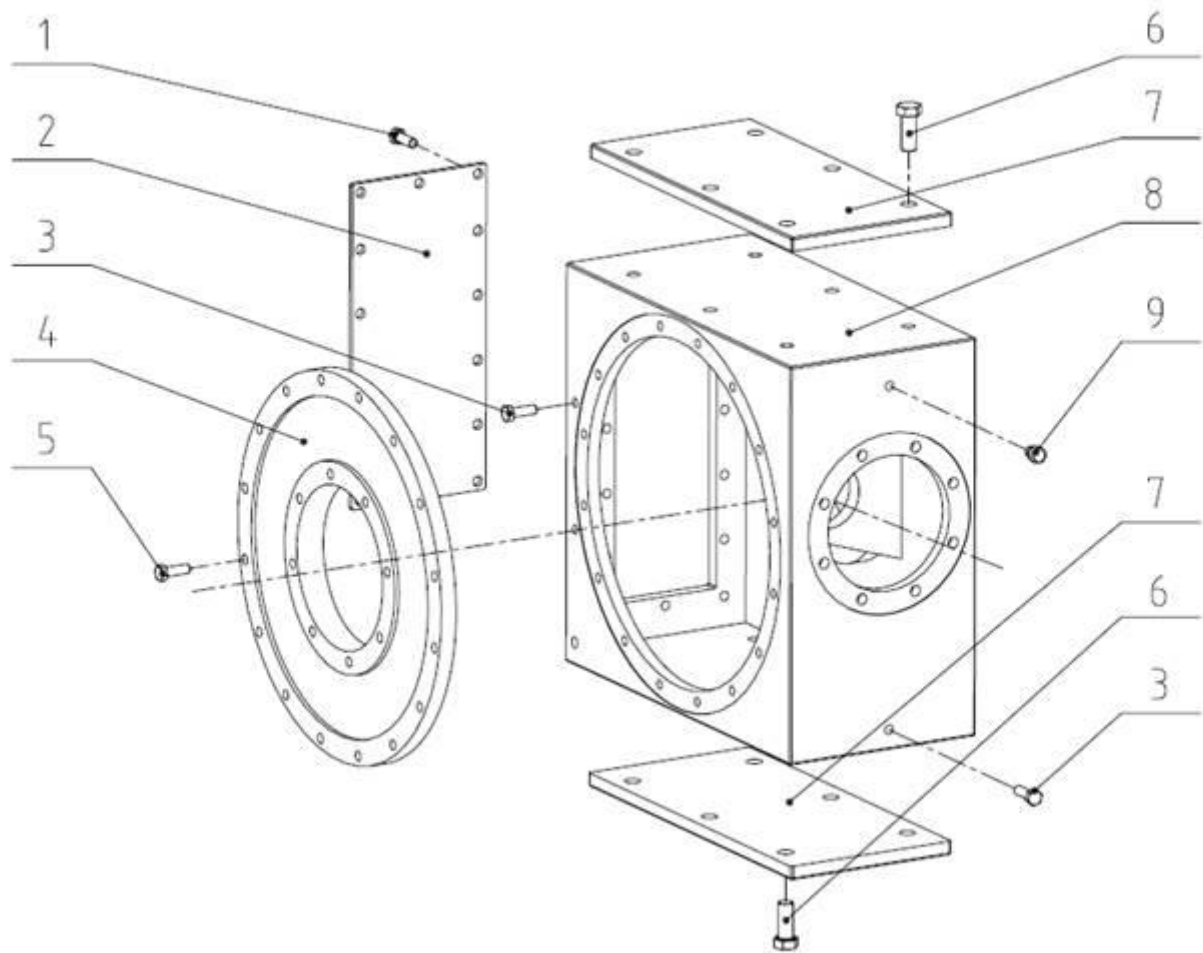




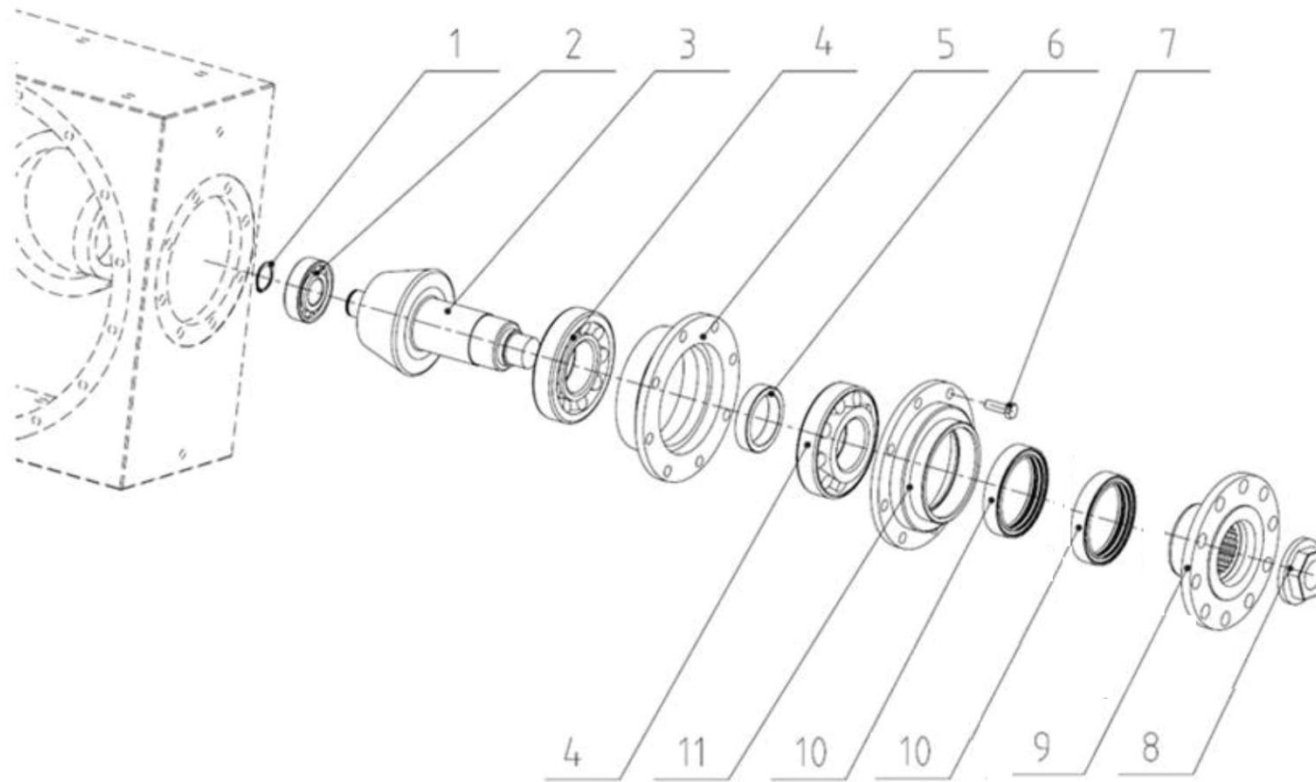
**ZCL450-11 GEAR BOX  
PART BOOK**



**Housing assembly**

### ZCL450-11 parts list of Gear box shell assembly

Number	Product code	Name and specification	Quantity
1	3530400100	Bolt M10x30	10
2	3089000015	Side cover plate	1
3	3560400008	Bolt M10x20	4
4	3089000003	Large side cover	1
5	3530400100	Bolt M10x30	16
6	3560400006	Bolt m16x40	12
7	3089000014	Shell cover plate	2
8	3089000013	Housing	1
9	L132213000	Vent plug assembly	6



**Input component**

### ZCL450-11 Gear box input assembly parts list

Number	Product code	Name and specification	Quantity
1	3532400206	Circlip 30 for shaft	1
2	3530109202	Cylindrical roller bearing NJ306E	1
3	3089000042	Angle gear	1
4	3530101011	Tapered roller bearing 30312	2
5	3089000024	Input bearing pedestal	1
6	3089000027	Adjusting washer	1
7	3530400348	Bolt M12×40	8
8	3089000025	Big nut	1
9	3089000022	Input flange	1
10	3533400016	Frame oil seal 85x105x10	2
11	3089000023	Input bearing cover	1



## Output component

### ZCL450-11 Gear box output assembly parts list

Number	Product code	Name and specification	Quantity
1	3530400348	Bolt M10x30	4
2	3089000026	Bearing pressing plate	2
3	3089000017	Output flange	2
4	3530109120	Selfaligning bearing 22214C	2
5	3530400100	Bolt M10x30	11
6	3533400016	Frame oil seal 85x105x10	2
7	3531400179	Key	2
8	3089000016	Output shaft	1
9	3530700071	Nut M16-1.5	12
10	3530400364	Bolt M16-1.5x40	12

11	3560700002	Nut M12	4
12	3089000028	Shear pin M12	4
13	3533400026	Frame oil seal 100x125x12	2
14	3089000019	Output drive disk	2
15	3089000020	Output right bearing cover	1
16	3530109155	Tapered roller bearing 33020	1
17	3532400203	Circlip for shaft 110	1
18	3089000041	Disc gear	1
19	3089000018	Disc gear mounting seat	1
20	3530109028	Tapered roller bearing 30220	1
21	3089000021	Output left bearing cover	1