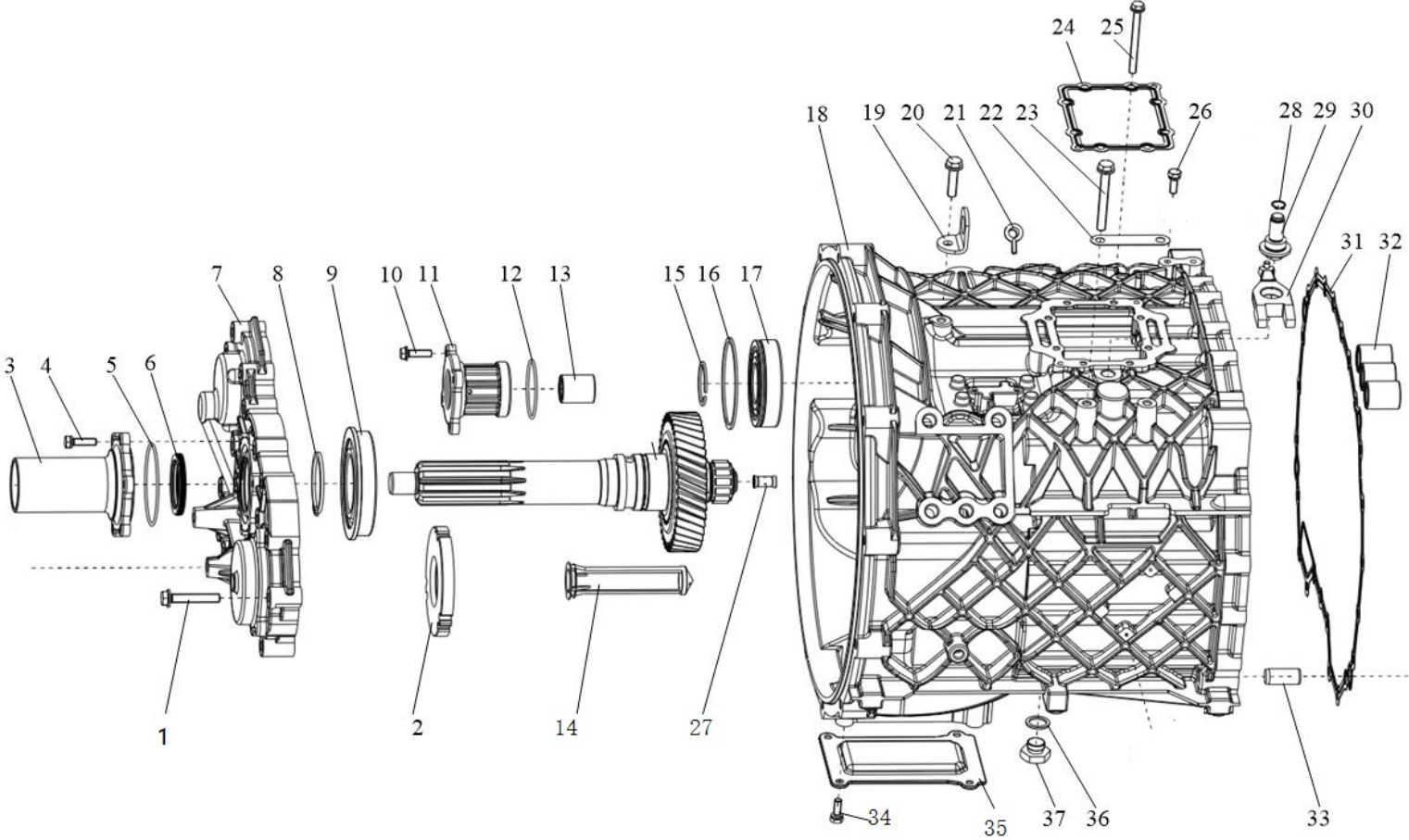

[C12JSDQXL320TA Transmission part Catalogue]

1 Clutch housings and associated components

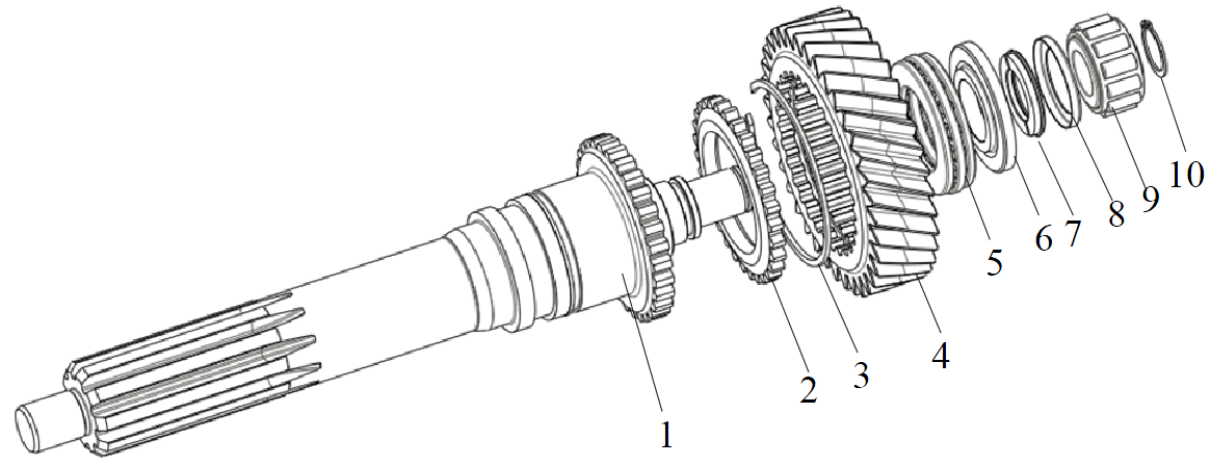


Num.	Part number	Name of part	Quantity
1	Q1401060TF3	Bolt、 flat washer	22
2	11845018	gland	1
3	10641040-1	Bearing cap	1
4	Q1420830	Bolt、 spring washer	6
5	10641042	O-ring	1
6	10641041-1	Oil seal	1
7	11845010-2	Oil pump	1
8	10641028	Circlip for shaft	1
9	10641029	Deep groove ball bearing	1
10	Q1400830	Bolt、 flat washer	4
11	11842002	End cover	1
12	10642003	O-ring	1
13	10642014	Linear earing	1
14	10645017	Oil filter	1

15	JS85T-1701123	Closing ring	2
16	C01021	Closing ring	2
17	10641091	Cylindrical roller bearing	2
18	11856010-4	Clutch housing assembly	1
19	20815	Lifting bend Plate	1
20	Q1401040TF3	Bolt、 flat washer	1
21	54015-1	CA bowl-shaped Patch	10
22	10643039	Adjustable pad	1
23	Q1401080	Bolt、 flat washer	2
24	10643016	Control window longitudinal pad	1
25	Q1400885T	Bolt、 flat washer	8
26	Q1420822	Bolt、 spring washer	2
27	10645026	Oil tube	1
28	Q43114	Circlip for shaft	1
29	11852073	Direction-changing cylinder	1

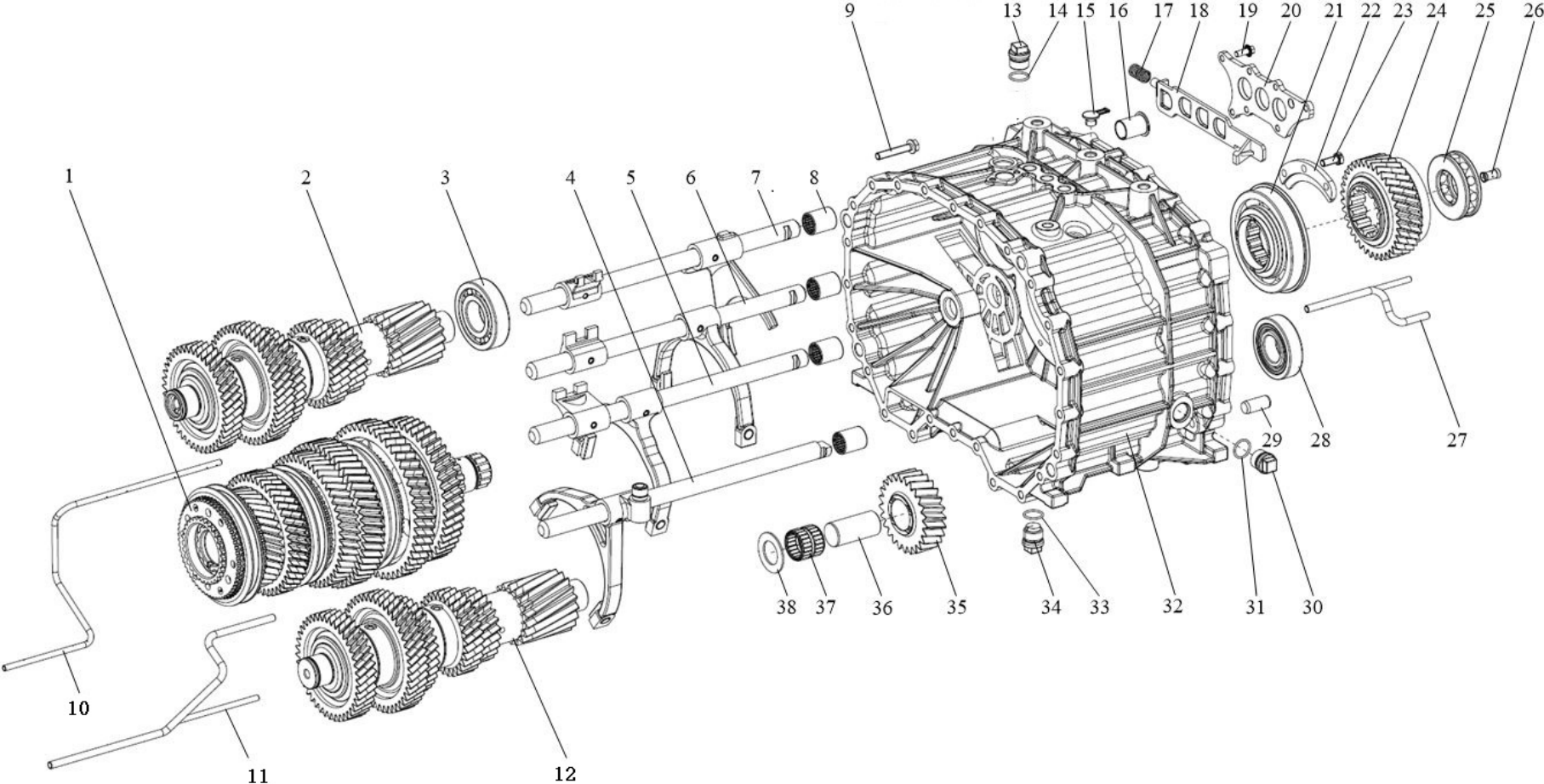
30	11852072	Swing the plectrum	1
31	10646016	Clutch housing gasket	1
32	10642014	Linear Bearing	3
33	10641075	Locating pin	4
34	Q1420822	Bolt、 spring washer	4
35	10646017	Handhole cover	1
36	Q72320	Seal washer	1
37	Q617B20	Hex head plug	1

2 First Bearing Assembly:



Num.	Part number	Name of part	Quantity
1	12091030-1	I axis	1
2	11841036	Shock insulator	1
3	10641023	Stop ring	1
4	11851031	gear	1
5	12071024	Cylindrical roller thrust bearing	1
6	12071035	Spacer bush	1
7	10641037	Dot pin	2
8	10641038	Locking plate	1
9	10641130	Inner ring cylindrical roller bearing	1
10	Q43124	Circlip for shaft	1

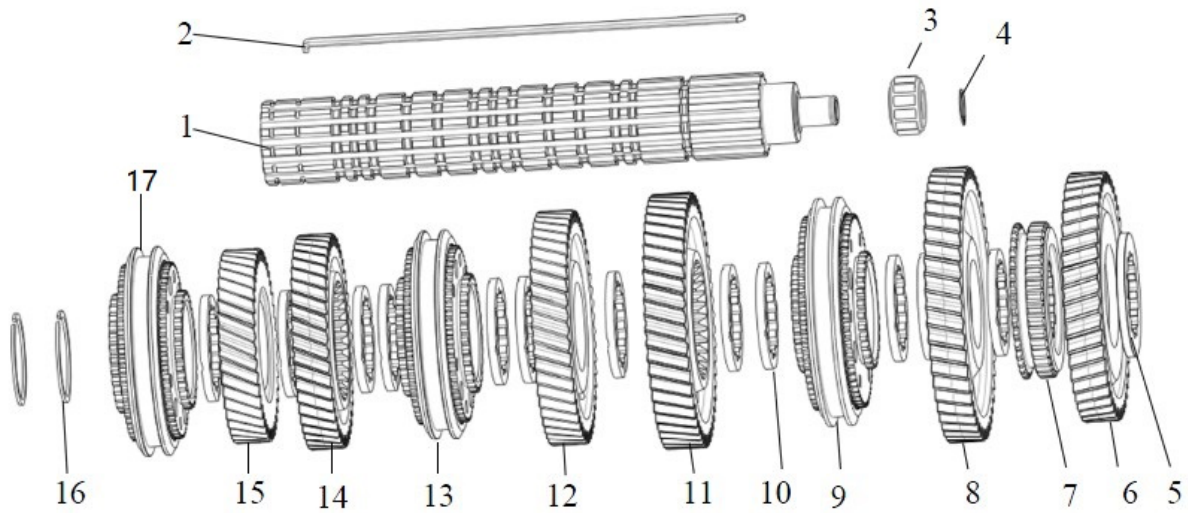
3 Transmission housing and associated components



Num.	Part number	Name of part	Quantity
1	12081100	II axis	1
2	11851047	Right middle shaft	1
3	10641092	Cylindrical roller bearing	2
4	11852046	5~6 speed bearing	1
5	11852045	3~4 speed bearing	1
6	11852044	1~2 speed bearing	1
7	12062043	Reverse gear shaft	1
8	10642014	Linear bearing	4
9	Q1401060TF3	Bolt、 flat washer	24
10	11845021	Right lubrication pipe	1
11	11845022	lubrication pipe	1
12	11851046	Left middle shaft	1
13	6JS160T-1709587-1	Oil plug	1
14	6JS160T-1709588-1	O-ring	1
15	54015	C bowl-shaped plug	3
16	15872059	lining	1
17	QH50-4211311	Return spring	1
18	11847058	interlocking	1
19	Q1810820	bolt	7
20	11847059	Press plate	1
21	11841125	bearing	1
22	10647031	Bearing positioning disc	2

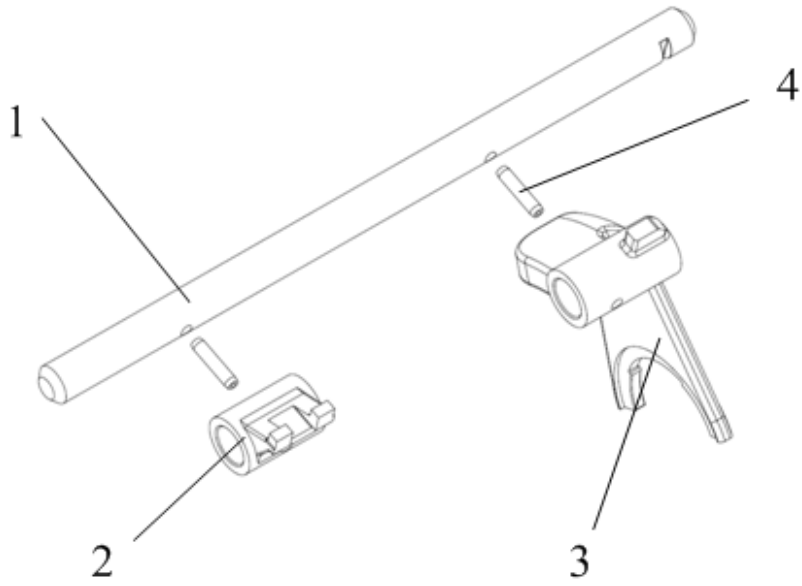
23	C09032	bolt	6
24	10647030	Drive gear	1
25	10647202	Pusher Cylindrical roller bearing	1
26	10645026	Oil pipe	1
27	10645024	lubricating oil pipe assembly	1
28	10647204	Cylindrical roller bearing	2
29	10641075	Locating pin	2
30	6JS160T-1709587-1	Oil plug	2
31	6JS160T-1709588-1	O-ring	2
32	11841010	Transmission housing	1
33	6JS160T-1709588-1	O-ring	1
34	5DS50T-1701085	Oil seal and magnet assembly	1
35	10641083	Reverse gear intermediate gear	2
36	10641082	Reverse gear intermediate shaft	2
37	10641085	Roller bearing	2
38	10641081	Reverse gear thrust washer	2

4 Second Bearing Assembly: 12081100



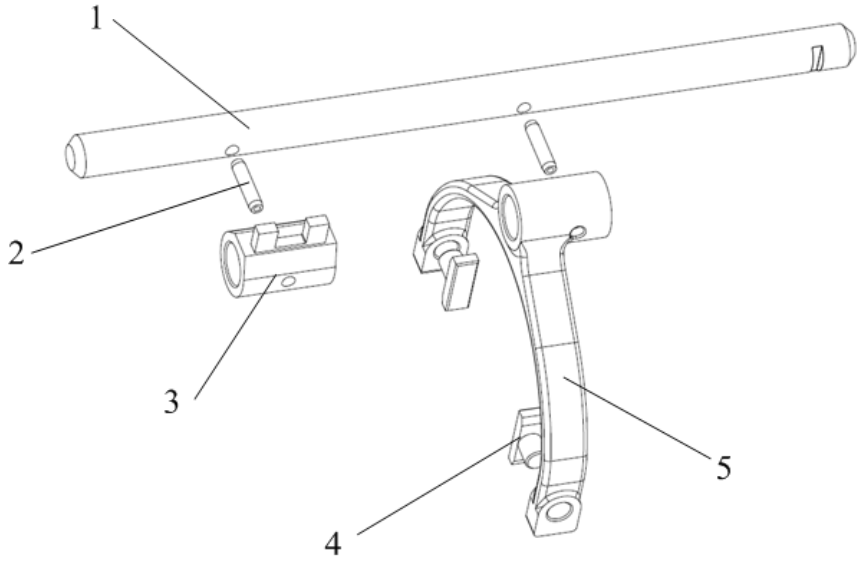
Num.	Part number	Name of part	Quantity
1	12071105	axes	1
2	11841131	hexagonal	1
3	10641130	Cylindrical roller bearing	1
4	Q43124	Circlip for shaft	1
5	10641126	Reverse gear gasket	1
6	12051110	Reverse gear	1
7	12051108	Reverse gear sliding sleeves	1
8	12051111-1	Gear rack	1
9	12071170	synchronizer	1
10	10641122	Gear spline gasket	8
11	12051112	Second gear	1
12	12051113	third gear	1
13	12071180	synchronizer	1
14	12051114	Fourth gear	1
15	12061115	Overdrive gear	1
16	10641128	Stop ring	6
17	12071190	Synchronizer assembly	1

5 Reverse gear shift fork assembly: 12062043



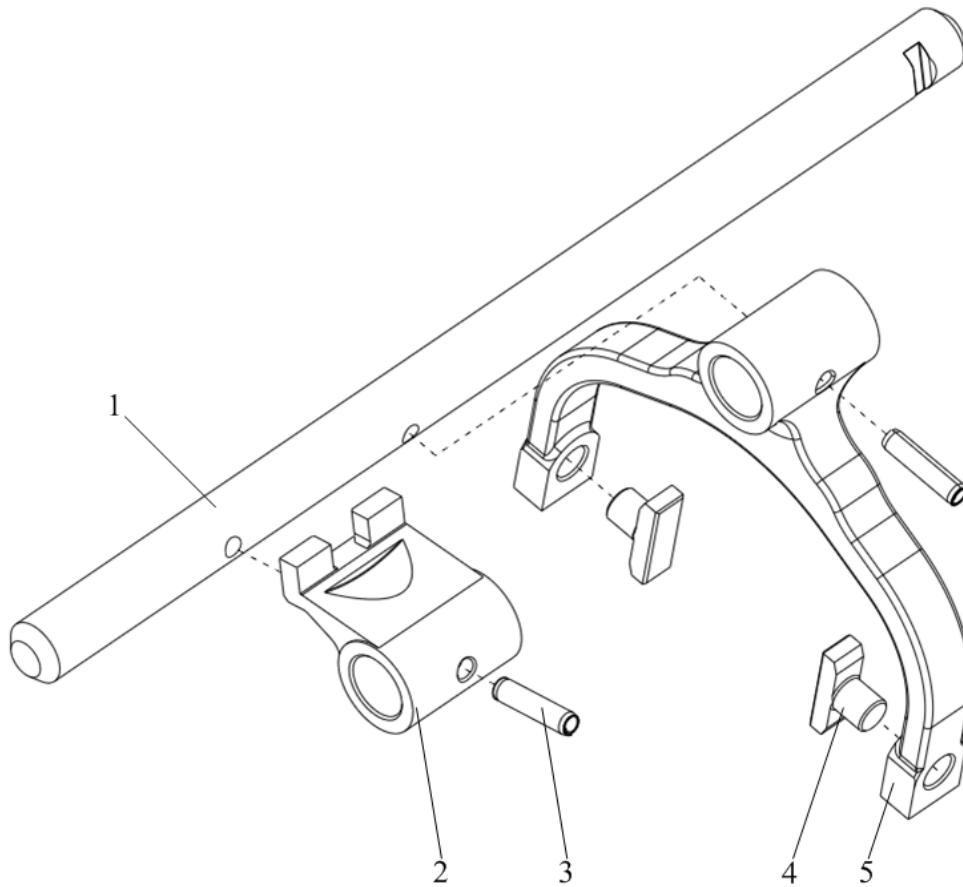
Num.	Part number	Name of part	Quantity
1	10642063	Reverse gear shift fork shaft	1
2	10642051	guide block	1
3	12052055	shift fork	1
4	Q5270836	Elastic cylindrical pin	2

6 The 1~2 shift rail assembly: 11852044



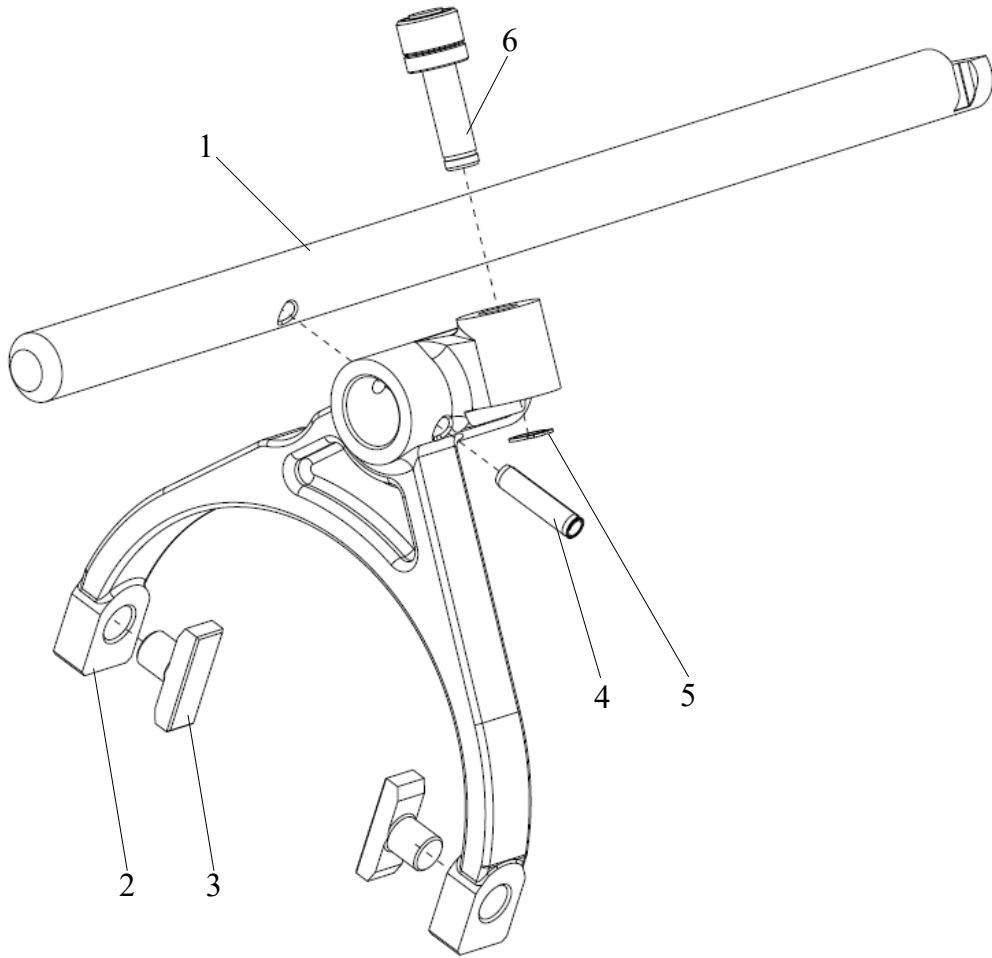
Num.	Part number	Name of part	Quantity
1	11842064	1~2 shift rail	1
2	Q5270836	Elastic cylindrical pin	2
3	11852052	1~2guide block	1
4	10642085	Angular cam	2
5	11842056	1~2 shift fork	1

7 The 3~4 shift rail assembly: 11852045



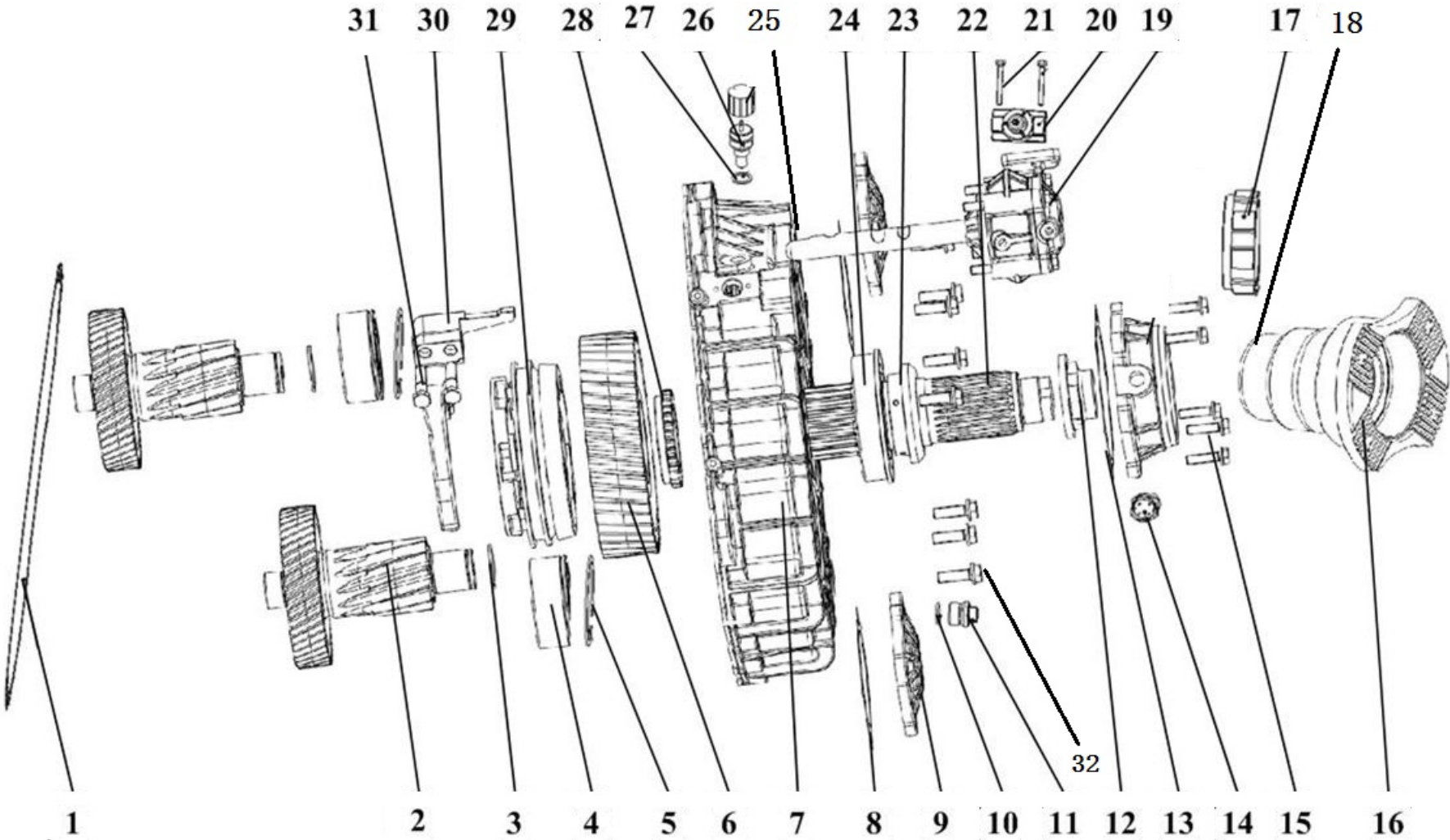
Num.	Part number	Name of part	Quantity
1	11842065	3~4 shift rail	1
2	11852053	3~4 guide block	1
3	Q5270836	Elastic cylindrical pin	2
4	10642085	Angular cam	2
5	11842057	3~4 shift fork	1

8 The 5~6 shift rail assembly: 11852046



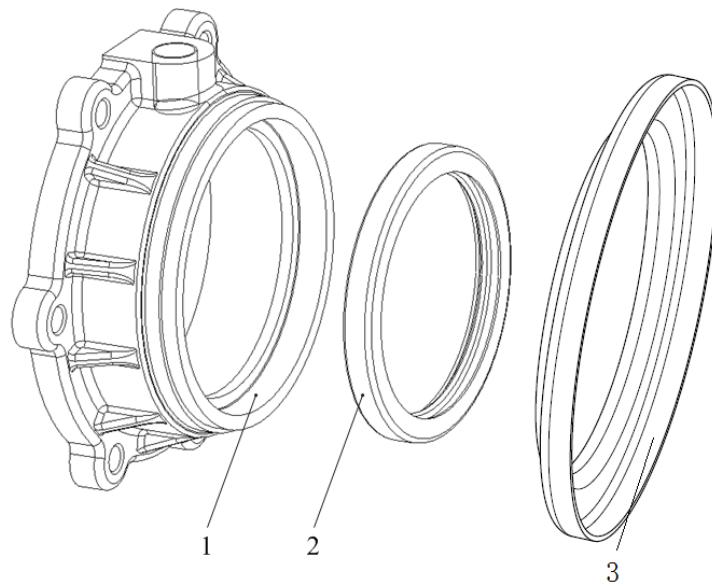
Num.	Part number	Name of part	Quantity
1	11852066	5~6 shift rail	1
2	11852058	5~6 shift fork	1
3	10642085	Angular cam	2
4	Q5270836	Elastic cylindrical pin	1
5	Q43112	Circlip for shaft	1
6	11852020-1	Reversing roller assembly	1

9 Back cover housing and associated parts



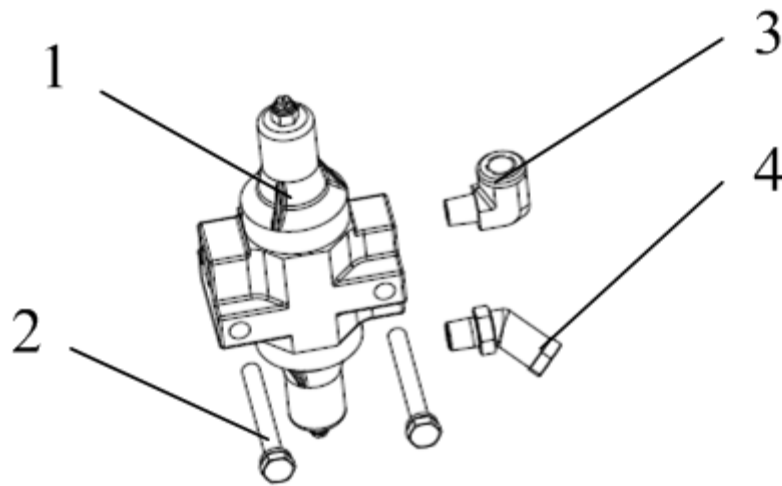
Num.	Part number	Name of part	Quantity
1	10647016	Back cover padding	1
2	12087050	Center shaft welding	2
3	JS85T-1701123	Stop ring	2
4	10647205	Cylindrical roller bearing	2
5	Q433100	Shaft ring	2
6	10647106-3	Spindle reduction gear	1
7	10647012-1	Back cover shell	1
8	10647053-1	Intermediate shaft cover gasket	2
9	10647052-2	Cover gasket	2
10	6JS160T-1709588-1	O-ring	1
11	5DS50T-1701085	Oil plug and magnet	1
12	12JSDX240K-1707170	Flange nut	1
13	10647156	Rear bearing cap gasket	1
14	C03054-16	sensor	1
15	Q1401040TF3	Bolt、 flat	6
16	12077159	flange	1
17	10647157	Odometer	1
18	10667161	O-ring	1
19	10647060-6	cylinder	1
20	A-C03002-19	Air filter regulator	1
21	Q1420655	Bolt、 spring washer	2
22	12077105	Principal axis	1
23	10647108	spindle gear retaining plate	1
24	10647203	Four-point contact ball	1
25	10647069	Cylinder gasket	1
26	990.12.71.0041-5	Pressure switch	1
27	10643033	Copper gasket	1
28	10647107	Spindle gasket	1
29	11847140-1	Synchronizer	1
30	11847067	Shift fork	1
31	Q171B1250	bolt	2
32	Q1401240T	Bolt、 flat	8

10 Main shaft rear bearing cover assembly and dust cover



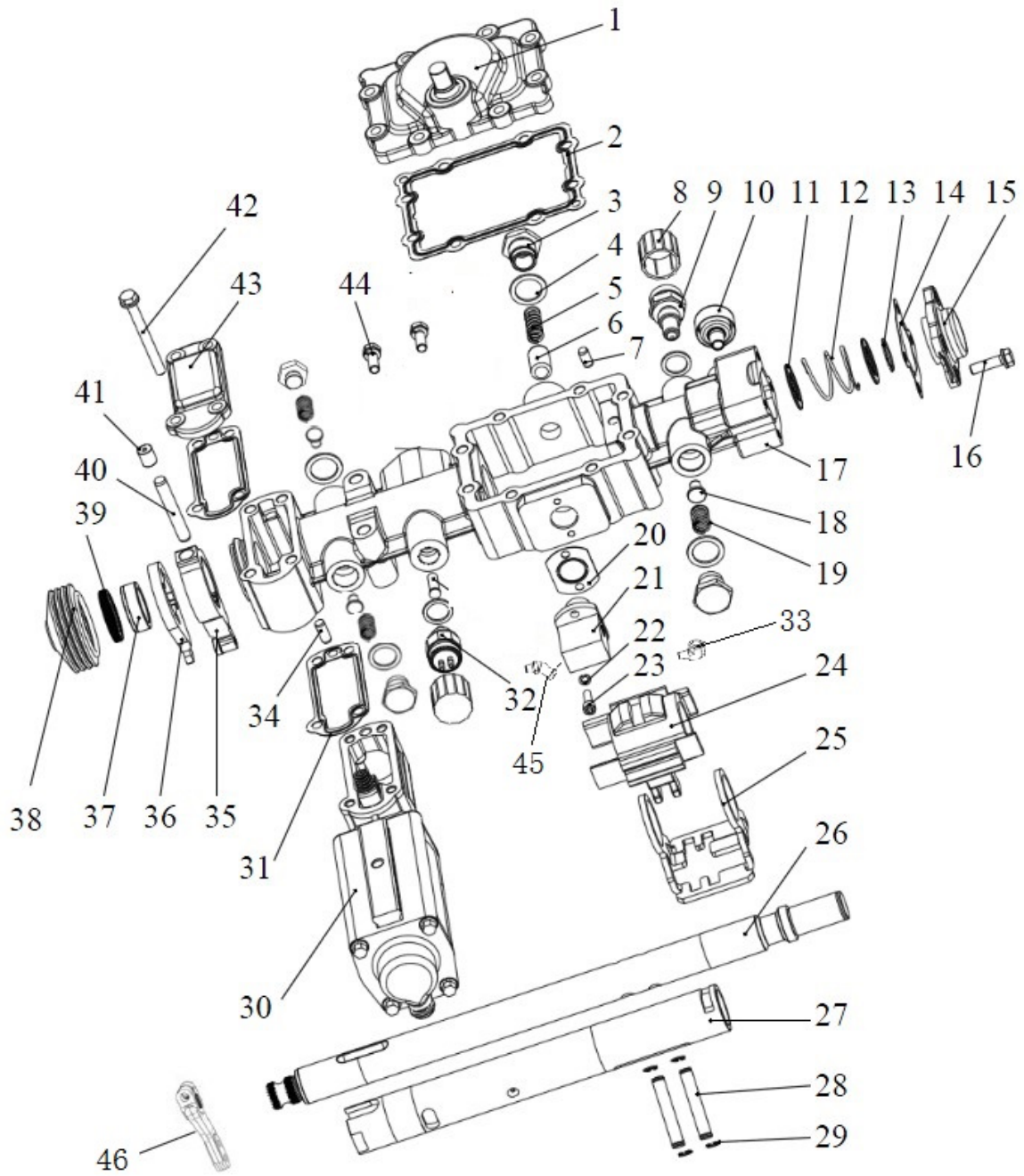
Num.	Part number	Name of part	Quantity
1	10647155	Spindle rear bearing cover	1
2	10647162	Oil seal	1
3	10647165	Dust guard	1

11 Air filter regulator assembly and related parts



Num.	Part number	Name of part	Quantity
1	A-C03002-19	Air filter regulator and plug	1
2	Q1420655	Bolt、 spring washer	2
3	12845	90° elbow joint	1
4	C01052	45° elbow joint	1

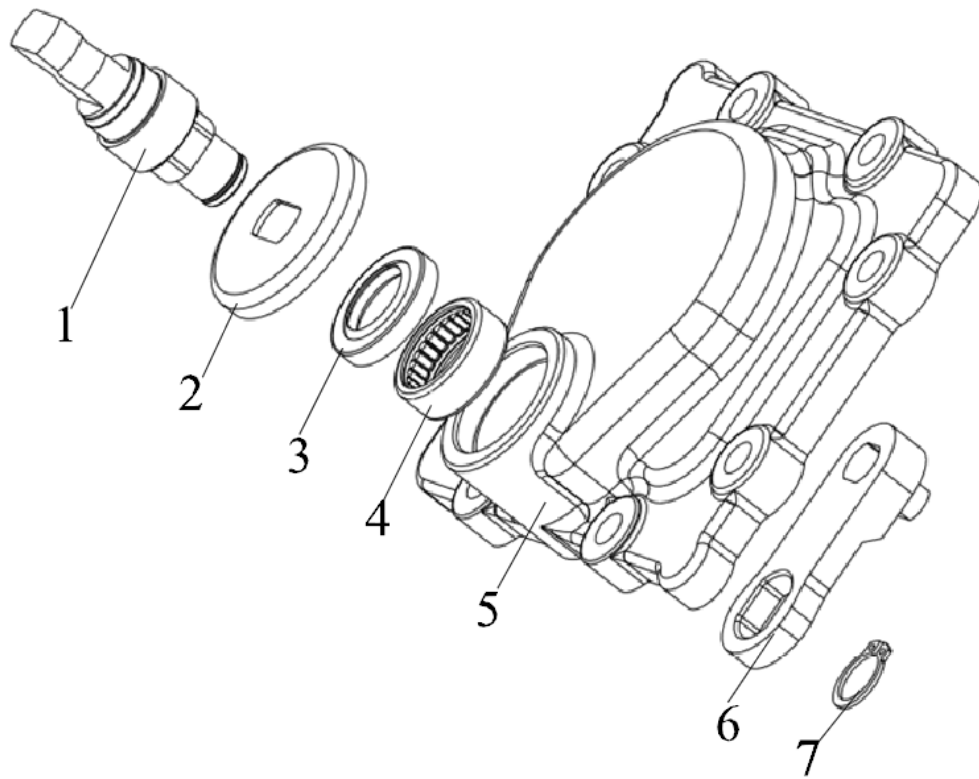
12 Control mechanism assembly 11853010-38 and associated parts



Num.	Part number	Name of part	Quantity
1	10643020-2	Control window cover assembly	1
2	10643016	Manipulate the window gasket	1
3	10643032	Plug screw	4
4	10643034	Copper washer	4
5	10643038	Self-locking spring	1
6	10643072	Self-locking pin shaft	1

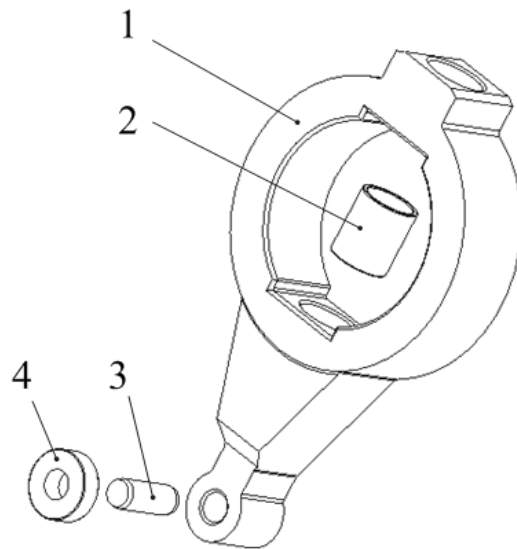
Num.	Part number	Name of part	Quantity
7	Q5210816	Cylinder pin	1
8	C03016	Switch protection cover	2
9	0068DS-1	Pressure switch	1
10	15276-1	ventilation	1
11	10643028	Base of spring	2
12	10643027	Shift control balance valve	1
13	Q43124	Circlip for shaft	1
14	10643026	End cap gasket	1
15	10643025	End cap	1
16	Q1400830	Bolt、 flat washer	4
17	10643015-8	Control device housing	1
18	F99670-6	Self-locking pin shaft	1
19	8774-17	Reverse gear spring	1
20	F91353	Double H valve gasket	1
21	12JS160T-1703022-3	Pile-up valve	1
22	C01051	Direct- flow pipe joint	2
23	QH50-4211313	Hexagon socket cap screws	2
24	11853018	Shift lever	1
25	11853014-1	Interlocking block	1
26	15873017-4	Horizontal shift lever	1
27	10643011-1	Hollow shift shaft	1
28	10643019	Shift lever positioning pin	2
29	Q43110	Circlip for shaft	4
30	10643060	Shift assist device	1
31	10643061	Shift assist device window gasket	2
32	990.12.71.0041-5	Pressure switch	1
33	C01054	90°pipe joint	1
34	cf	Cylinder pin	1
35	10643065	The inner shaft knob of the booster	1
36	10643063	The outer shaft knob of the booster	1
37	10643024	Copper bush	1
38	10643031	Dust cover	1
39	10643029	Oil seal	1
40	10643056	Cylinder pin	1
41	10643068	sliding	1
42	Q1400880T	Bolt、 flat washer	4
43	10643062	Power assist windows cover	2
44	Q1420822	Bolt、 flat washer	2
45	12JS160T-1703021	90°quick-change coupler	2
46	F96035-167	LRC Exchanger gear arm	1

13 Operation window cover assembly: 10643020-2



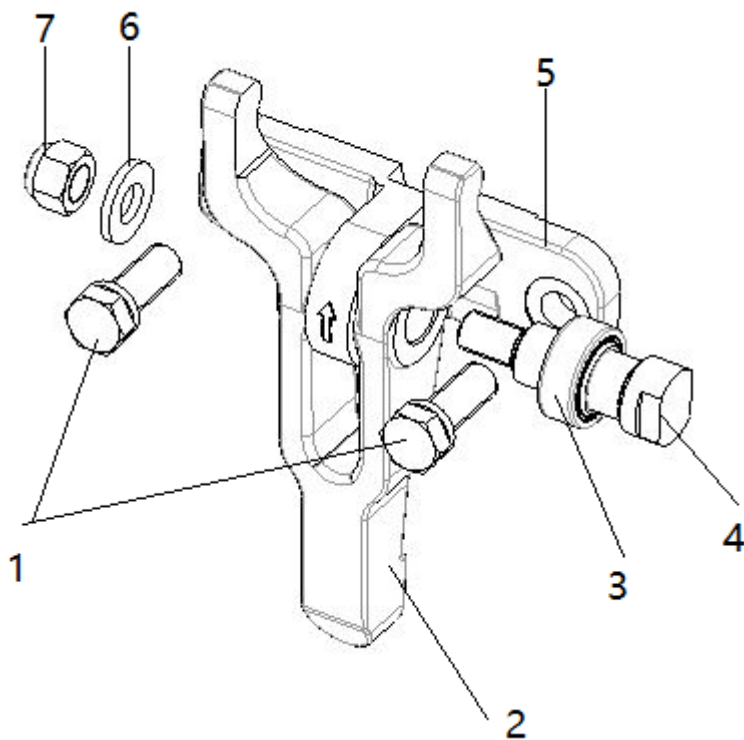
Num.	Part number	Name of part	Quantity
1	10643022-2	Selector coupling	1
2	10643041-1	Dust cover	1
3	6J80T-1703035	Oil seal	1
4	10643071	Roller bearing	1
5	10643021	Operation window cover	1
6	10643023	Selector lever	1
7	Q43114	Circlip for shaft	1

14 The inner shaft knob of the booster assembly: 10643065



Num.	Part number	Name of part	Quantity
1	10643066	The inner shaft knob of the booster	1
2	10643070	Sliding bearing	1
3	Q5210618	Cylindrical pin	1
4	10643069	Rolling cylinder	1

15 Clutch release fork assembly



Num.	Part number	Name of part	Quantity
1	Q1421645M	Bolt、spring washer	2
2	10646021-8	Clutch release fork	1
3	GE25ET-2RSGB9163	afferent knuckle bearing	1
4	JS180-1601023-7	Shift rail	1
5	JS180-1601024-52	T-template	1
6	JS180-1601022-1	Gasket	1
7	GB889.2-2000-M16X1.5	nut	1