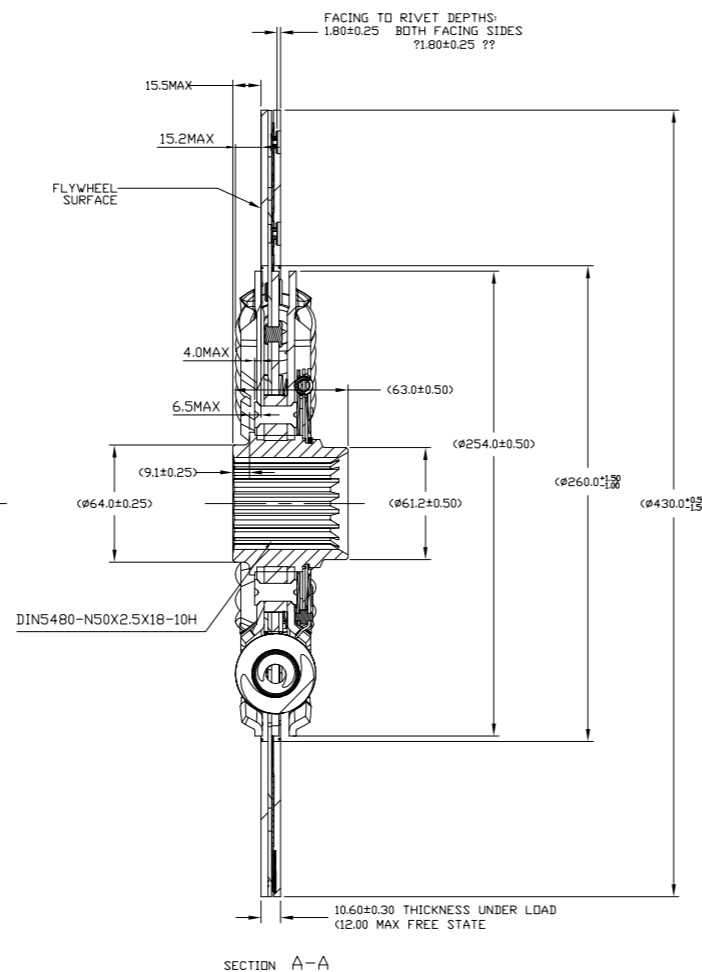
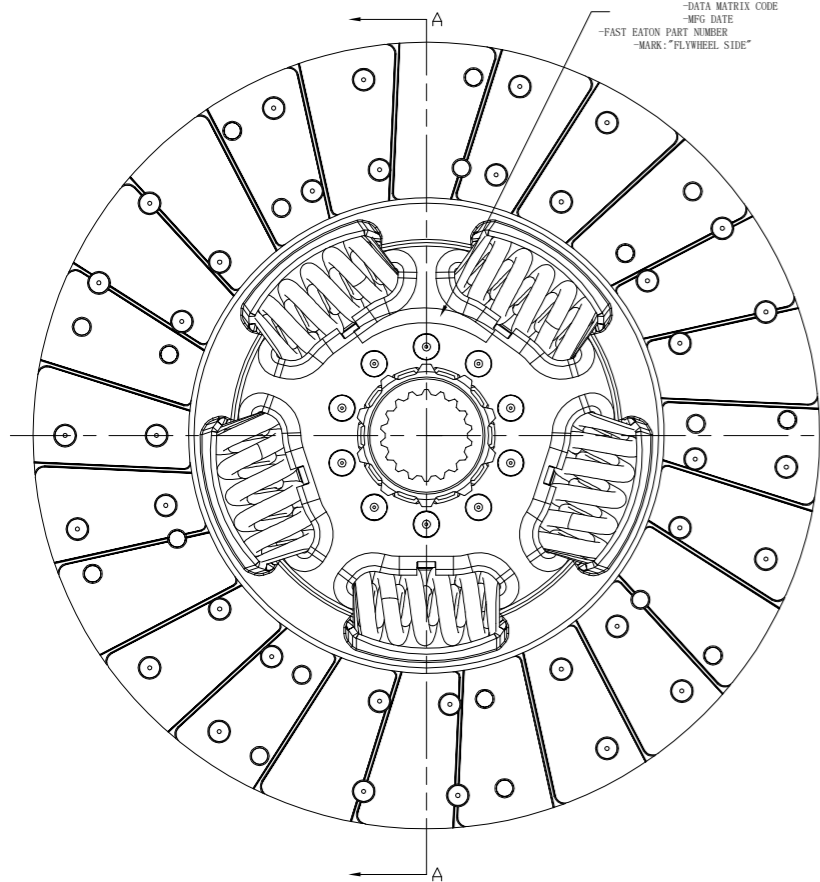
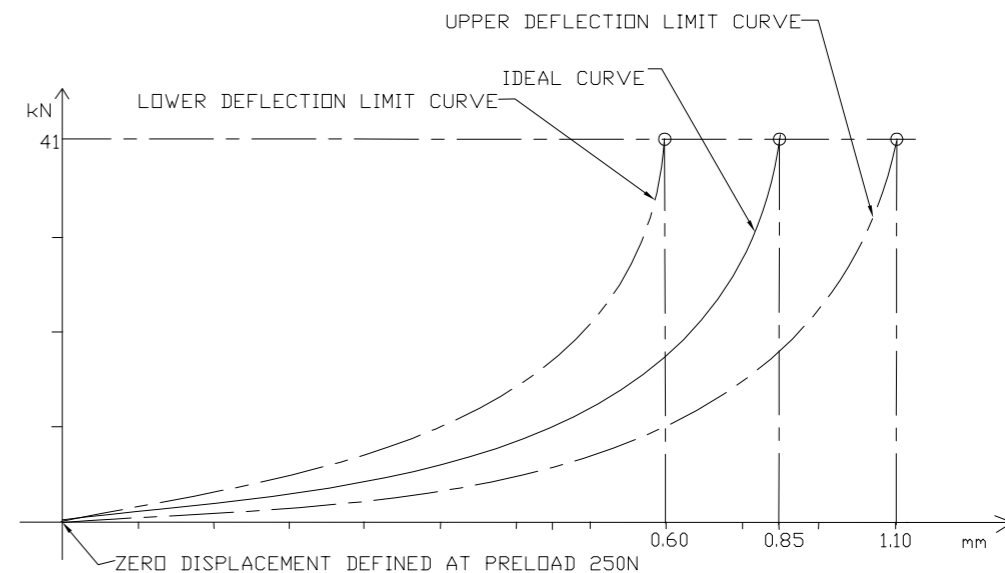


NO.	REV.	ZONE	CHANGED FROM	DR.	CHK.	DATE
1706002	A	-	RELEASE FOR PROTOTYPE	SM	KP	12-06-17
1901001	B	-	RELEASED FOR PRODUCTION	DLL	LW	03-29-19

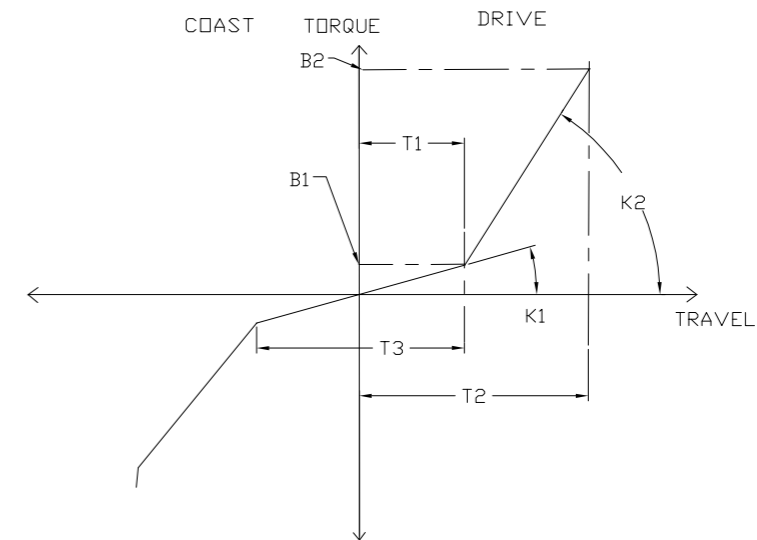
FLYWHEEL SIDE VIEW:
TRACKING INFORMATION



CUSHION CHARACTERISTICS



DAMPER CHARACTERISTICS



FIRST STAGE (PRE-DAMPER)			SECOND STAGE (MAIN DAMPER)			
TRAVEL T1 (°)	STIFFNESS K1 (Nm/°)	HYSTERESIS H1 (Nm)	STIFFNESS K2 (Nm/°)	HYSTERESIS H2 (Nm)	STOP TORQUE B2 (Nm)	TRAVEL T2 (°)
4.0±1 DRIVE 2.0MIN COASTSIDE	10.4±2.0 Nm/° DRIVE SIDE ONLY	3Nm - 19Nm NEW CONDITION (120m = 24Nm AFTER 200K 20 DRIVE SIDE ONLY	450 Nm/° MAX DRIVE SIDE ONLY	60Nm - 465Nm NEW CONDITION - DRIVE SIDE ONLY (175Nm - 440Nm AFTER 200K CYCLES 20	3640Nm MIN	(13.0 DRIVE SIDE AND COASTSIDE)

NOTE
-PRE CYCLE 3 TIMES TO FULL BOTTOMING TORQUE BEFORE VERIFY DAMPER CHARACTERISTIC
- REFER TO ERP-006 FOR DETAILS OF HYSTERESIS CURVE INTERPRETATION

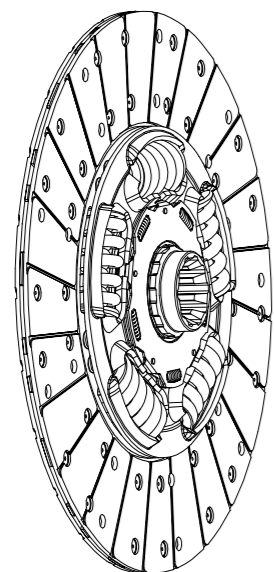
TECHNICAL SPECIFICATIONS

- MAXIMUM ENGINE TORQUE: 3200Nm
- FRICTION COEFFICIENT MIN.: 0.28
- WEAR ALLOWANCE: 3.6mm
- MAX IMBALANCE: 1200gmm

- C2 33 -DRAG TORQUE: 2Nm MAX @ 1.60mm GAP
- INERTIA: 0.13kgm2 (REF)

- TP 15 -SPLINE DATA REFERENCE

INTERNAL INVOLUTE SIDE FIT	
NO. OF TEETH	(18)
PRESSURE ANGLE	(30°)
MODULE	(2.5)
PITCH	(45)
MAJOR Ø	(50.00-50.62)
MINOR Ø	(45.00-45.16)



ENGINEERING SPECIFICATIONS

AU-608 DATE CODE
AU-865 DDA CTG
ERP-006

DRIVEN MISC ASSY
5 SPRING
4300MM
1706002

DATE: 12-JUN-17
SCALE: 1:000
SHEET NO: 5M
REV: KP

ESTIMATED REFERENCE WEIGHT: 500G
PROJECTION: THIRD ANGLE

SPECIAL CHARACTERISTICS: 1706002
MFG: 12-06-17
CHK: LW

COPIES OF THIS DOCUMENT ARE NOT CONTROLLED

EATON CORPORATION
CLUTCH BUSINESS UNIT
AUBURN, INDIANA 46706

Vehicle Group - Americas

UNLESS OTHERWISE SPECIFIED:
DIMENSIONS ARE IN MM
DECIMALS AND TOLERANCES IN ACCORDANCE WITH ASME Y14.5M-1994

DO NOT SCALE DRAWING

PART NO. FE1281133
1 OF 1 REF: B
SIZE AU

METRIC