

XPT-HJ20



Model description
HJ 20 series lever grip type industrial handle
 Friction positioning, median belt feel
 With conversion circuit, power supply voltage 9 ~ 32 Vdc, second line system 20 mA ~ 4 mA ~ 20 mA current output
 With a 10A front and rear position microswitch

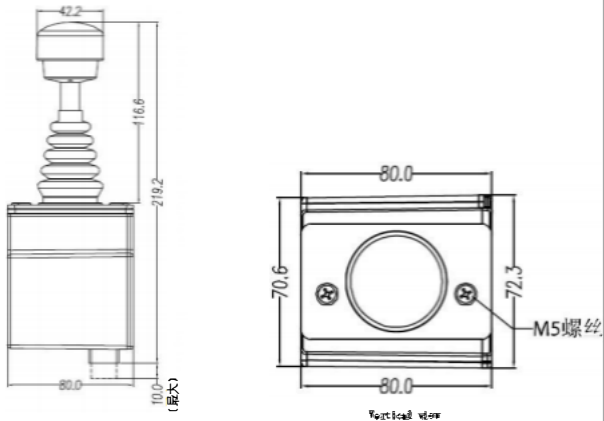
Applied range
 This series of products are used in rotary drilling rig, high altitude fire truck, crane, shield machine, coal mine hoist, oil hoist and other electrical and electro-hydraulic control systems

Mechanical parameters
 Shake Angle: $\pm 37.5^\circ$
 Starting force: 16N
 Maximum operating force: 16N
 Limit force: $> 300N$
 Weight: 500g (no top end)

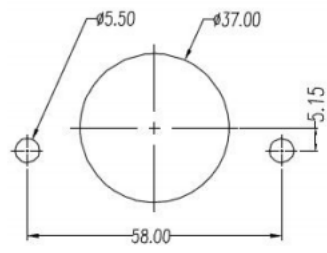
Enviromental parameter
 Operating temperature: $-30 \sim +70$
 Storage temperature: $-40 \sim +85$
 Protection level: IP65 (above mounting panel)

Electrical parameters
 Power supply voltage: 9 ~ 32 Vdc
 Power supply consumption current: $< 20 \text{ mA}$
 Maximum output current: 10 mA

Outline dimension

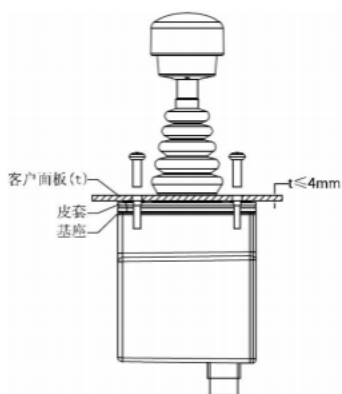


Install the panel opening dimensions

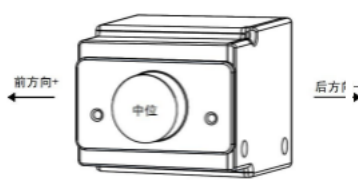


BG top

Mechanical installation



Front and rear direction operation definition



Electrical installation

1 Pin	
2 Pin	
3 Pin	NA
4 Pin	NA
5 Pin	Forward switch
6 Pin	Forward switch
7 Pin	Backward switch
8 Pin	Backward switch

