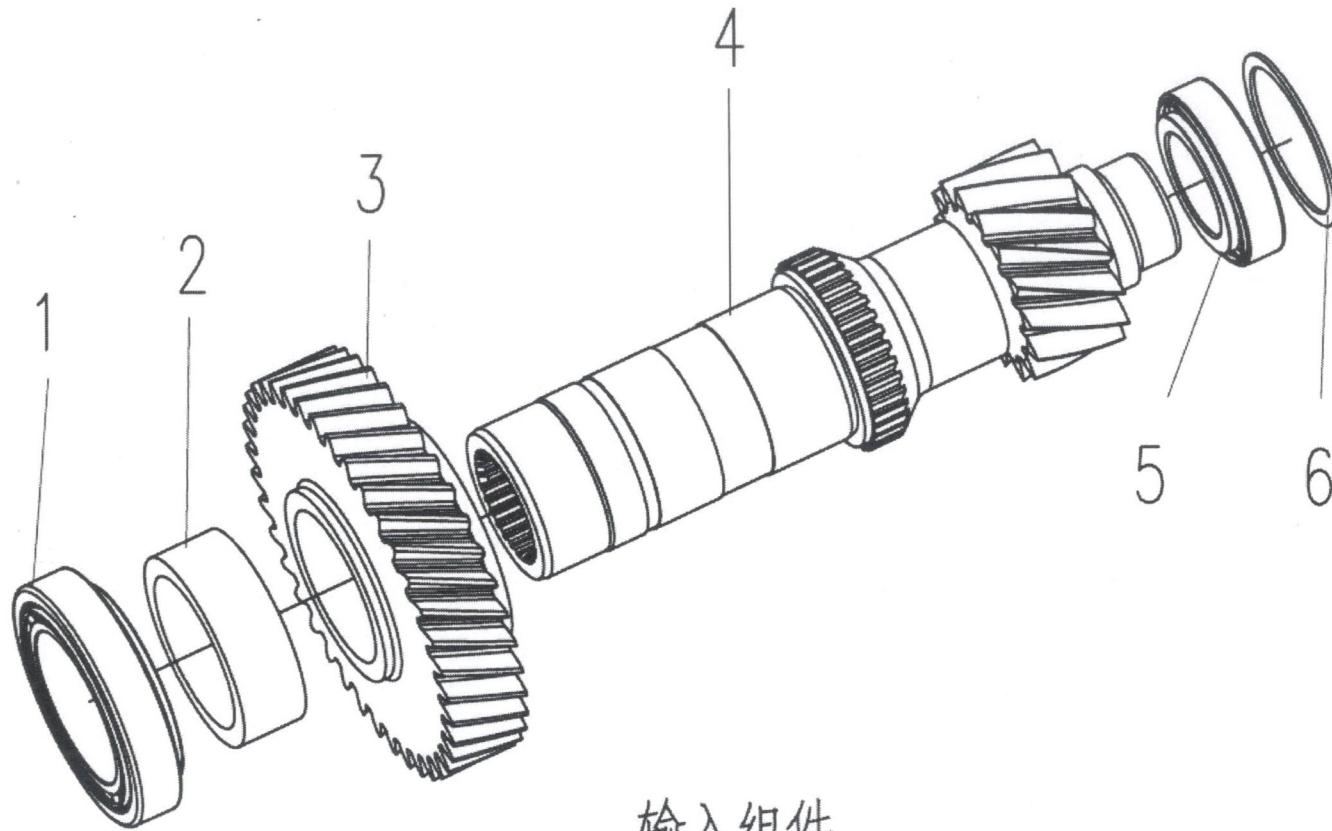


目 录
Catalogue

1、输入组件(Input assembly).....5
2、输出组件(Output assembly)7
3、前壳组件(Front housing Assembly)10
4、后壳组件(Rear housing Assembly)14

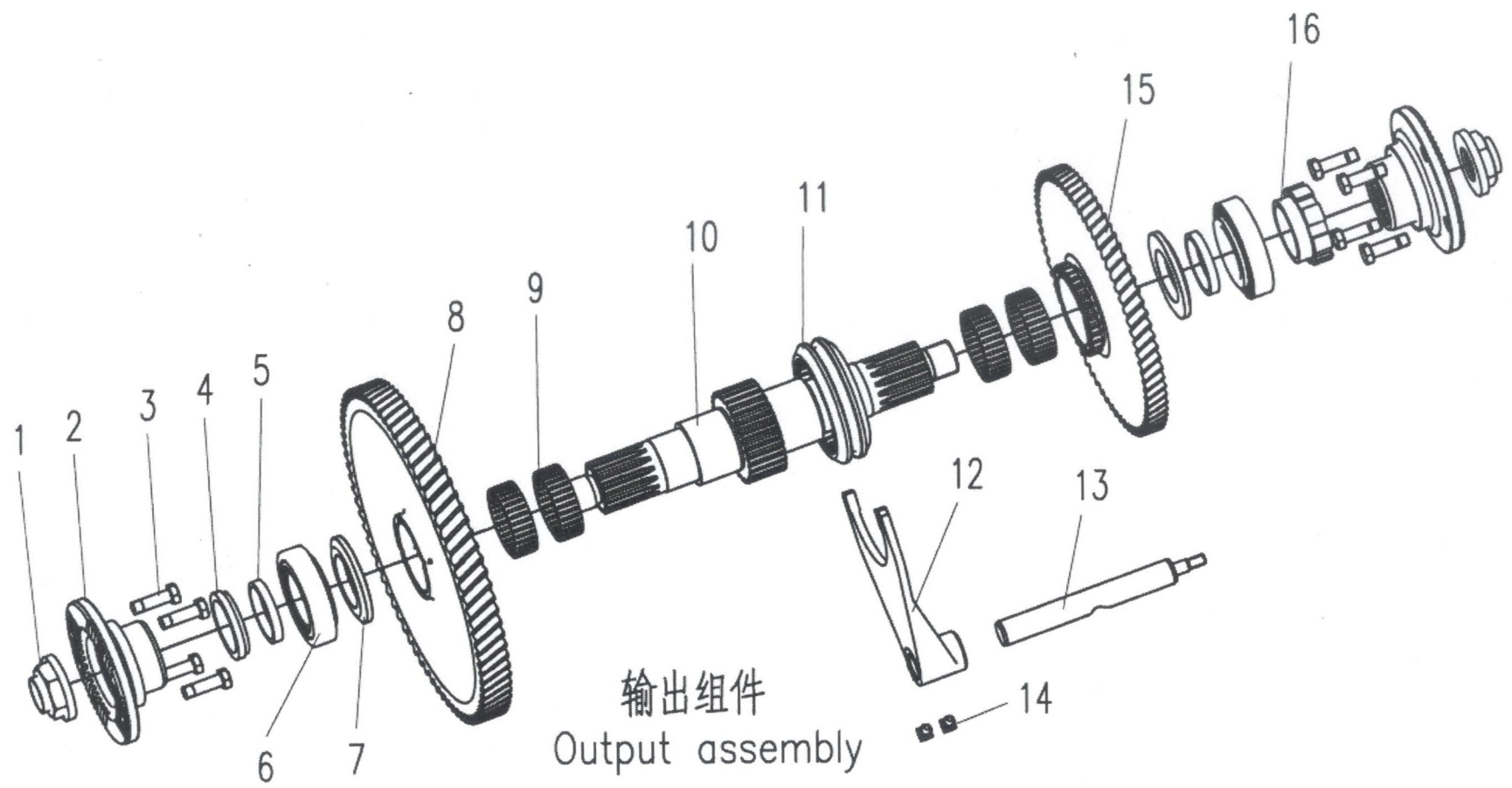


输入组件
Input assembly

ZQC4357-21 变速器输入组件零件明细表

Parts List of Input Components for ZQC4357 - 21 Transmission

No.	Part No.	Part Name		Qty
1	3530109363	圆锥滚子轴承	Tapered Roller Bearings	1
2	3086001883	隔圈	Spacer Sleeve	1
3	3086002218	输入齿轮	Input gear	1
4	3086002217	输入轴	Input shaft	1
5	3530109045	圆锥滚子轴承	Tapered Roller Bearings	1
6	3053002041	调整垫片	Adjusting Shim	1



ZQC4357-21 变速器输出组件零件明细表
Parts List of Output Components for ZQC4357 - 21 Transmission

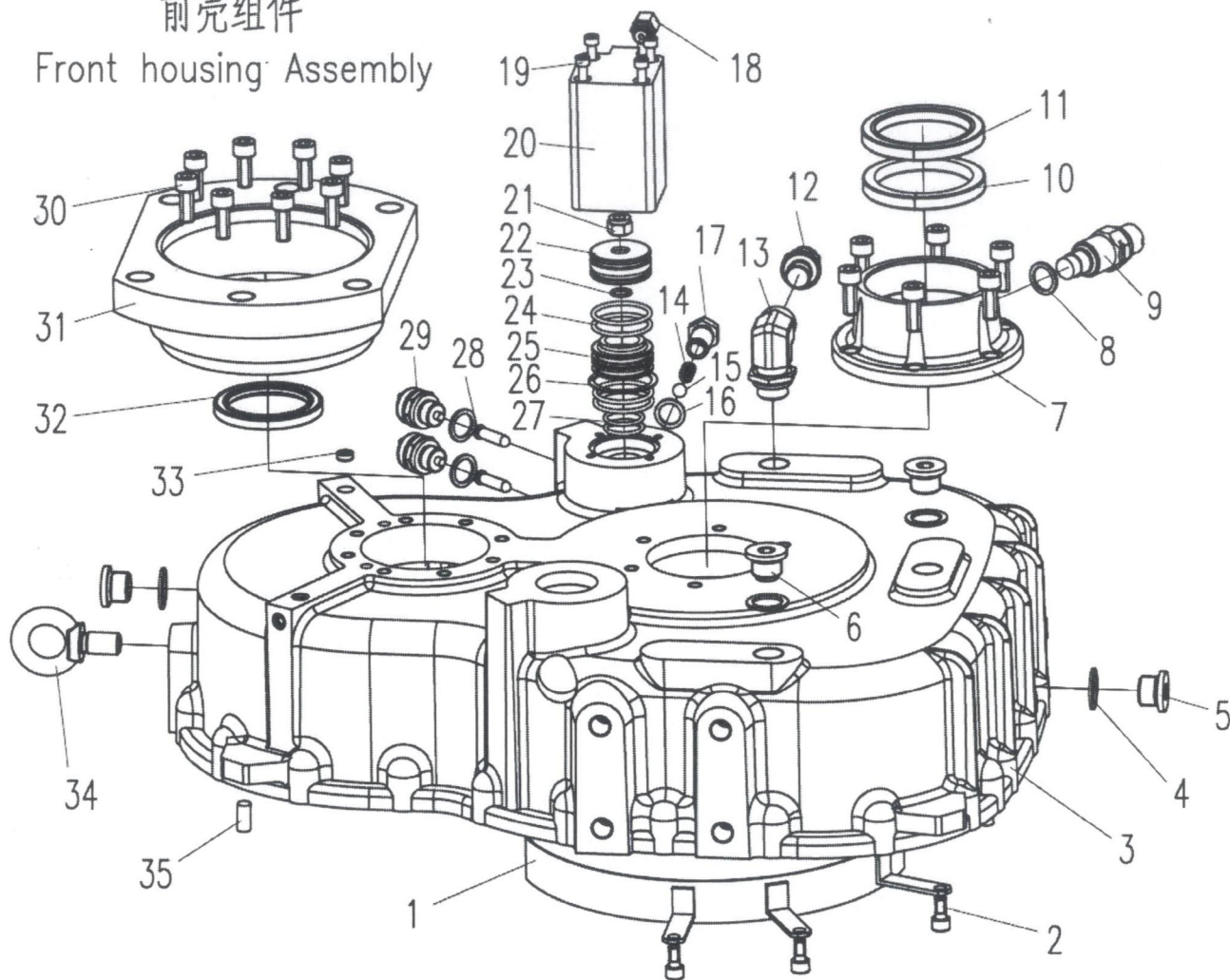
No.	Part No.	Part Name		Qty
1	3086000482	凸缘螺母	Flange Nut	2
2	3086000548	凸缘	Flange	2
3	3530400133	六角头螺栓	Hex Bolt	8
4	3086002110	隔圈	Spacer Sleeve	1
5	3086002186	隔圈	Spacer Sleeve	2
6	3530109454	圆锥滚子轴承	Tapered Roller Bearings	2
7	3086002184	垫片	Gasket	2
8	3086002221	低档齿	Low-Speed Gear	1
9	3530109513	滚针轴承	Needle bearing	4
10	3086002219	输出轴	Output shaft	1
11	3086001855	滑动齿套	Sliding gear sleeve	1

ZQC4357-21 Transmission

12	3087000042	拨叉	Shift fork	1
13	3086002185	拨叉轴	Shift shaft	1
14	3086001152	止动螺栓	Limit Screw	2
15	3086002220	高档齿	High-Speed Gear	1
16	3086002111	里程表主动齿轮	Speedometer gear	1

前壳组件

Front housing Assembly



ZQC4357-21 变速器前壳体组件零件明细表
Parts List of Front Housing Assembly for ZQC4357 - 21 Transmission

No.	Part No.	名称规格		Qty
1	2586000965	挡油板合件	Oil Baffle Assembly	1
2	3531100023	内六角圆柱头螺钉	Inner Hex Screw	3
3	3086002189	壳体	Housing	1
4	3533100222	密封垫圈	Sealing Washer	4
5	3086000651	内六角螺塞	Screw plug	3
6	2586000284	内六角磁性螺塞	Screw plug	1
7	3086002101	后轴承盖	Bearing cap	1
8	3562100008	密封垫圈	Sealing Washer	3
9	3599900075	里程表传感器	Speed Sensor	1
10	3533400015	油封	Oil Seal	1
11	3533400014	油封	Oil Seal	1

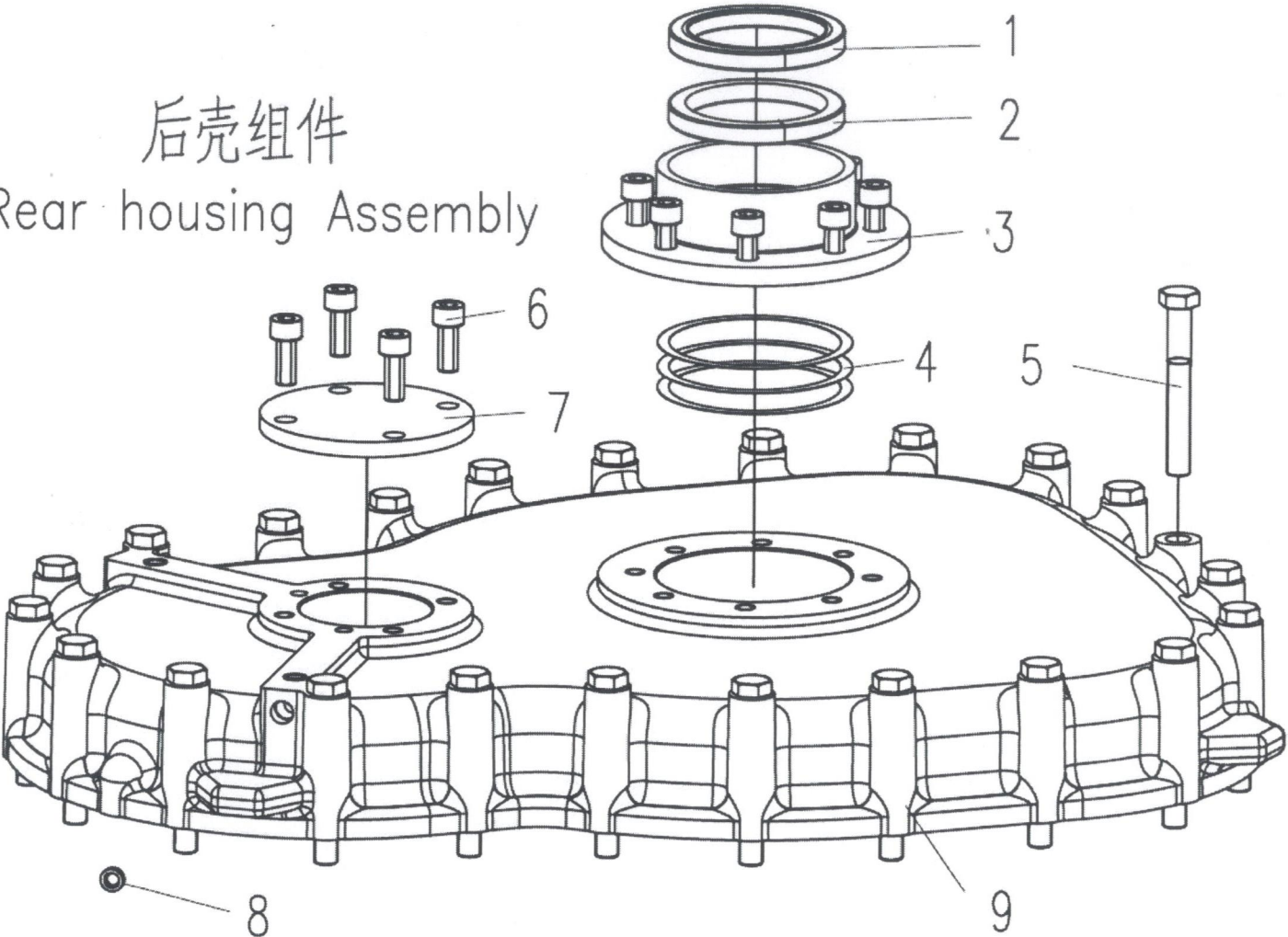
ZQC4357-21 Transmission

12	3088000863	通气阀	Breather valve	1
13	3087200424	可调向直角接头	Union elbow	1
14	3086000397	锁簧	Lock Spring	1
15	3533900001	钢球	Steel Ball	1
16	3562100007	密封垫圈	Sealing Washer	1
17	3087200309	锁止求导套	Ball Head Lock Nut	1
18	3086002178	气管接头	Air Connector	2
19	3087000040	内六角螺栓	Inner Hex Screw	4
20	3087000043	气缸体	Cylinder body	1
21	3530700062	六角锁紧螺母	Hexagon Lock Nut	1
22	3087000105	活塞	Piston	1
23	3086001595	O形密封圈	O-Rings	1
24	3086001586	O形密封圈	O-Rings	4

ZQC4357-21 Transmission

25	3086001869	活塞	Piston	1
26	3532400171	轴用挡圈	Circlip For Shaft	1
27	3086001581	O形密封圈	O-Rings	2
28	3086000151	销钉	Pin Bolt	2
29	2586000074	压力开关	Indicate Switch	2
30	3531100116	内六角圆柱头螺钉	Inner Hex Screw	14
31	3086002222	马达连接座	Motor Mounting Plate	1
32	3533400145	油封	Oil Seal	1
33	3086000465	碗型堵塞	Cup Plug	4
34	3531100130	吊环螺钉	Eyebolt	1
35	3531400099	圆柱销	Cylindrical Pin	2

后壳组件
Rear housing Assembly



ZQC4357-21 变速器前壳体组件零件明细表
Parts List of Rear Housing Assembly for ZQC4357 - 21 Transmission

No.	Part No.	Part Name		Qty
1	3533400014	油封	Oil Seal	1
2	3533400015	油封	Oil Seal	1
3	3086001885	输出后盖	Output Back Cover	1
4	3086001870	调整垫片	Adjusting Shim	按需
	3086001871			
	3086001872			
5	3530400346	六角头螺栓	Hex Bolt	23
6	3531100116	内六角圆柱头螺钉	Inner Hex Screw	12
7	3086001867	输入后盖	Input Back Cover	1
8	3086000465	碗型堵塞	Cup Plug	4
9	3086001862	后壳体	Housing	1